



HINGES FOR ALUMINIUM SYSTEM


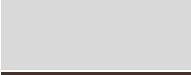








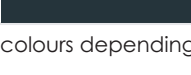


CONTENTS

SURFACE HINGES	
WX HINGE	3
Dimensions and adjustment	4
Selection according to the permitted load	5
MX HINGE	8
Dimensions and adjustment	9
Selection according to the permitted load	10
WX AND MX HINGE - MOUNTING SETS	13
WX AND MX HINGE - PATTERNS FOR DRILLING	16
WX ELECTRO HINGE	17
Mounting sets	18
GROOVE HINGES	
SWW HINGE	19
Selection and adjustment	20
XWW HINGE	21
Selection and adjustment	22
SWW AND XWW HINGE - SELECTION ACCORDING TO THE PERMITTED LOAD	23
RWE Hinge	24
Selection and adjustment	25
Selection according to the permitted load	26
ROLLER HINGES	
WR HINGE	27
Adjustment	28
Selection according to the permitted load	29
Tooling in aluminium profiles	31
WR-1R ROLLER HINGE	32
Adjustment	33
Selection according to the permitted load	34
Tooling in aluminium profiles	36
WR, WR-1R ROLLER HINGE – INCREASE OF THE ADJUSTMENT RANGE	37
CONCEALED HINGES	
WU CONCEALED HINGE	38
Adjustment	39
Dimensions	40
Selection according to the permitted load	41
General tooling in aluminium profiles	43
WUT CONCEALED HINGE	44
Adjustment	45
Dimensions	46
Selection according to the permitted load	47
General tooling in aluminium profiles	49
WR ROLLER HINGE, WU CONCEALED HINGE- PATTERN FOR MANUAL DRILLING IN PROFILES	50
GLASS SHEET HINGES	
WT GLASS SHEET HINGE	51
Mounting sets and adjustment	52
Tooling in profile, glass sheet and selection	53
ROOF WINDOW HINGES	
WP1 ROOF WINDOW HINGE	54
Selection according to the permitted load	55
WP2 ROOF WINDOW HINGE	56
Selection according to the permitted load	57
CERTIFICATE OF WALA HINGES	58

INTRODUCTION

SYMBOLS OF COLOURS IN CODES

„X” CODE	COLOUR		RAL CODE
0	raw		-
1	anode natural		-
2	brown		RAL 8019
4	inox (imitation of stainless steel)		-
5	black		RAL 9005
6	anode varnish		-
7	brown		RAL 8017
8	silver		RAL 9006
9	white		RAL 9016
N	atypical (as ordered)		-
R7016	anthracite		RAL 7016

WARNING! The colours presented in the colour codes and in the pictures may differ from actual colours depending on personal computer settings or the quality of printed catalogue.

SYMBOLS AND MEANINGS



Easy and fast assembly



Independent & smooth adjustment in 3 planes



Maximum load capacity of the hinge



Possibility of using in fire door



Certificated product

HINGES / SURFACE HINGES

WX HINGE



WX8010456X



WX8010457X



WX8010458X



WX8010459X



WX8010460X



WX8010461X

AVAILABLE COLOURS



CODE

TYPE

WX8010456X	2-WING WX ASYMMETRICAL HINGE
WX8010457X	3-WING WX ASYMMETRICAL HINGE
WX8010458X	2-WING WX SYMMETRICAL HINGE
WX8010459X	3-WING WX SYMMETRICAL HINGE
WX8010460X	2-WING WX ANGULAR HINGE
WX8010461X	3-WING WX ANGULAR HINGE

WX HINGE CLASSIFICATION EN 1935:2002 + EN 1935:2002/AC:2003
for use in fire door and emergency exit doors

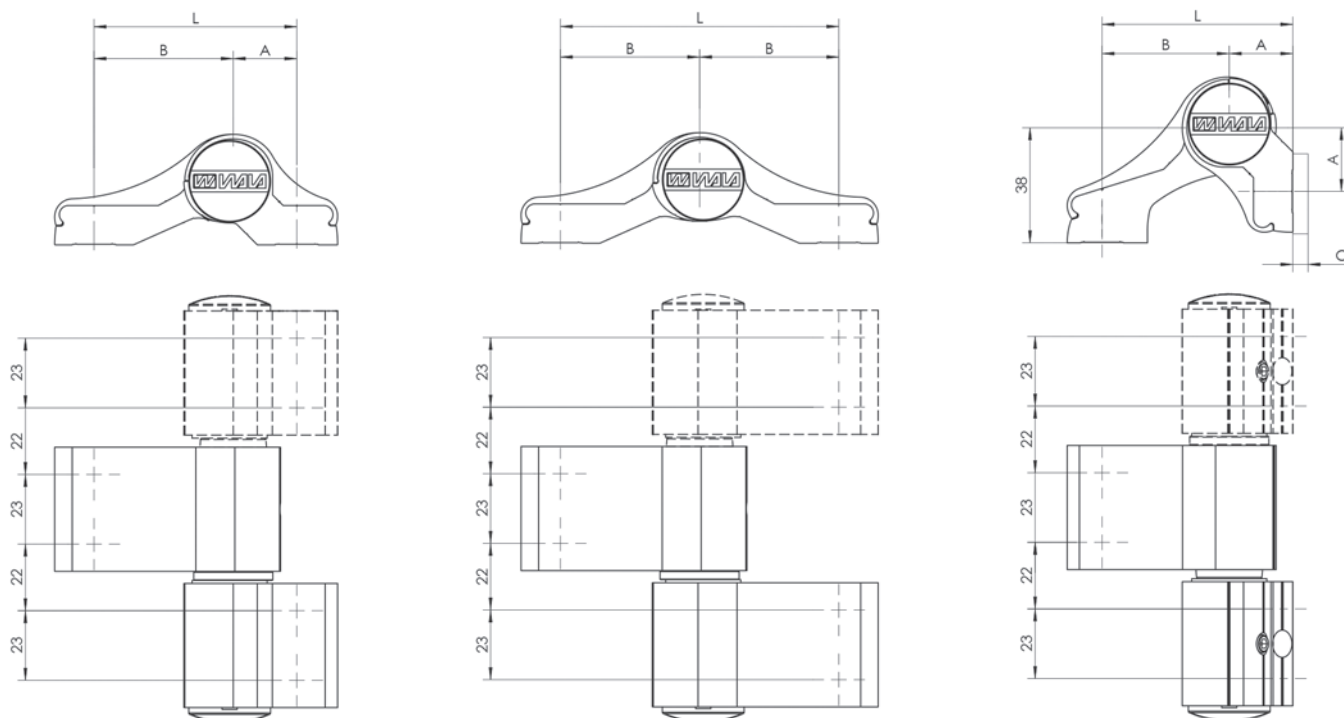
1	2	3	4	5	6	7	8
4	7	7	1	1	3	1	14

X – colour code as indicated in the list of WALA colours

PLASTIC COVERS



WX HINGE / DIMENSIONS AND ADJUSTMENT

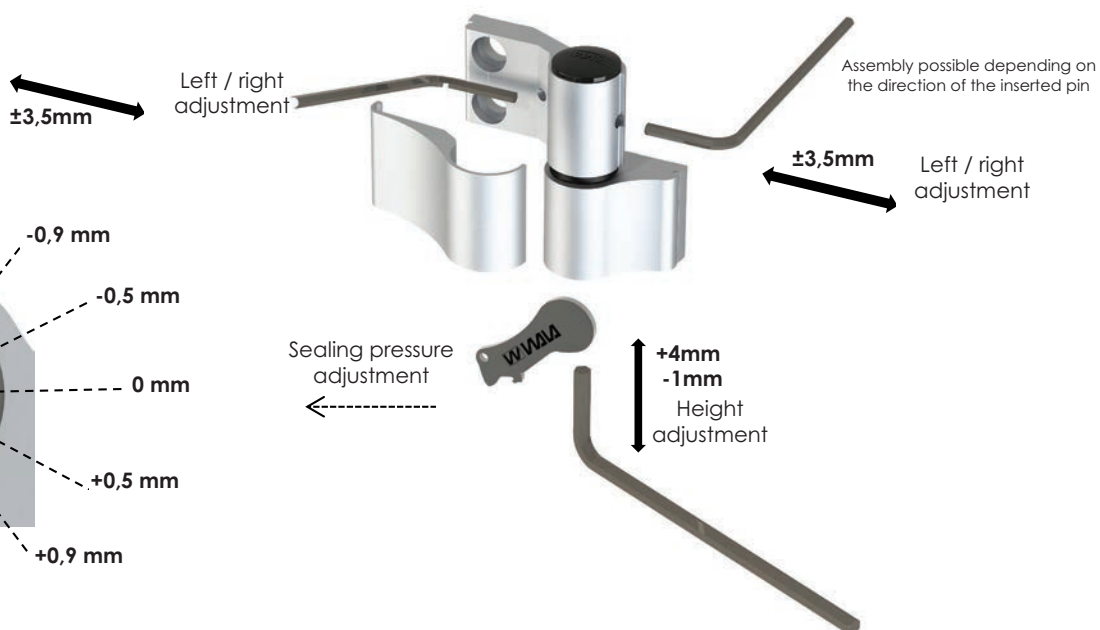


CODE	TYPE	L	A	B	C
WX8010456X	2-WING WX ASYMMETRICAL HINGE	67	21	46	-
WX8010457X	3-WING WX ASYMMETRICAL HINGE	67	21	46	-
WX8010458X	2-WING WX SYMMETRICAL HINGE	92	46	46	-
WX8010459X	3-WING WX SYMMETRICAL HINGE	92	46	46	-
WX8010460X	2-WING WX ANGULAR HINGE	63	21	42	●
WX8010461X	3-WING WX ANGULAR HINGE	63	21	42	●

● - distance plate, available height: 2mm, 3mm, 5mm, 8mm, 10mm

WX HINGE ADJUSTMENT:

Assembly possible depending on the direction of the inserted pin



HINGES / SURFACE HINGES

WX HINGE / SELECTION ACCORDING TO THE PERMITTED LOAD



Private building



Public building



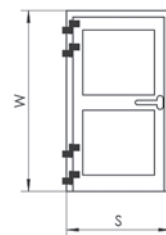
Door closer






2-Wing Hinge







3-Wing Hinge






In case of the door higher than 2200mm, it is required to put additional hinge in the middle to caulk the door leaf.

 +  **2 x** 




W \ S	800	900	1000	1100	1200	1300	1400
2000	98	91	84	78	72	67	62
2100	103	95	88	82	76	70	65
2200	108	100	93	86	79	74	68
2300	113	105	97	90	83	77	71
2400	119	110	102	95	88	81	75
2500	125	116	107	99	92	85	79
2600	130	122	113	104	97	89	83
2700	130	128	118	109	101	94	87
2800	130	130	124	115	106	99	91
2900	130	130	130	121	112	103	96
3000	130	130	130	127	117	109	101

 +  **3 x**  **2 x** 

W \ S	800	900	1000	1100	1200	1300	1400
2000	131	121	112	104	96	89	82
2100	137	127	118	109	101	93	86
2200	144	133	123	114	106	98	91
2300	151	140	130	120	111	103	95
2400	159	147	136	126	117	108	100
2500	167	154	143	132	123	113	105
2600	175	162	150	139	129	119	110
2700	180	170	158	146	135	125	116
2800	180	179	165	153	142	131	122
2900	180	180	174	161	149	138	128
3000	180	180	180	169	156	145	134

 +  **3 x** 

W \ S	800	900	1000	1100	1200	1300	1400
2000	169	157	145	134	124	115	107
2100	178	164	152	141	131	121	112
2200	186	173	160	148	137	127	118
2300	196	181	168	155	144	133	123
2400	206	190	176	163	151	140	130
2500	216	200	185	171	159	147	136
2600	220	210	194	180	167	154	143
2700	220	220	204	189	175	162	150
2800	220	220	214	198	184	170	157
2900	220	220	220	208	193	179	165
3000	220	220	220	219	202	187	174

 +  **4 x** 

W \ S	800	900	1000	1100	1200	1300	1400
2000	219	203	188	174	161	149	138
2100	230	213	197	183	169	157	145
2200	242	224	207	192	178	165	152
2300	250	235	218	202	187	173	160
2400	250	247	229	212	196	181	168
2500	250	250	240	222	206	190	176
2600	250	250	250	233	216	200	185
2700	250	250	250	245	227	210	194
2800	250	250	250	250	238	220	204
2900	250	250	250	250	250	232	214
3000	250	250	250	250	250	243	225



HINGES / SURFACE HINGES

WX HINGE / SELECTION ACCORDING TO THE PERMITTED LOAD



Private building



Door closer



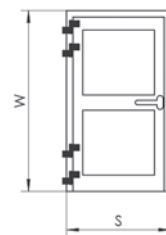
Public building



2-Wing Hinge



3-Wing Hinge



In case of the door higher than 2200mm, it is required to put additional hinge in the middle to caulk the door leaf.

+ +

2 x

W \ S	800	900	1000	1100	1200	1300	1400
2000	122	113	105	97	90	83	77
2100	129	119	110	102	95	88	81
2200	130	125	116	107	99	92	85
2300	130	130	122	113	104	96	89
2400	130	130	128	118	109	101	94
2500	130	130	130	124	115	106	99
2600	130	130	130	130	121	112	103
2700	130	130	130	130	127	117	109
2800	130	130	130	130	130	123	114
2900	130	130	130	130	130	129	120
3000	130	130	130	130	130	130	126

+ +

3 x 2 x

W \ S	800	900	1000	1100	1200	1300	1400
2000	173	160	148	137	127	117	109
2100	180	168	155	144	133	123	114
2200	180	176	163	151	140	130	120
2300	180	180	171	159	147	136	126
2400	180	180	180	167	154	143	132
2500	180	180	180	175	162	150	139
2600	180	180	180	180	170	157	146
2700	180	180	180	180	179	165	153
2800	180	180	180	180	180	174	161
2900	180	180	180	180	180	180	169
3000	180	180	180	180	180	180	177

+ +

3 x

W \ S	800	900	1000	1100	1200	1300	1400
2000	216	200	185	171	159	147	136
2100	220	210	194	180	167	154	143
2200	220	220	204	189	175	162	150
2300	220	220	214	198	184	170	157
2400	220	220	220	208	193	179	165
2500	220	220	220	219	202	187	174
2600	220	220	220	220	213	197	182
2700	220	220	220	220	220	207	191
2800	220	220	220	220	220	217	201
2900	220	220	220	220	220	220	211
3000	220	220	220	220	220	220	220

+ +

4 x

W \ S	800	900	1000	1100	1200	1300	1400
2000	250	238	220	204	189	175	162
2100	250	249	231	214	198	183	170
2200	250	250	243	225	208	193	178
2300	250	250	250	236	218	202	187
2400	250	250	250	248	229	212	197
2500	250	250	250	250	241	223	206
2600	250	250	250	250	250	234	217
2700	250	250	250	250	250	246	228
2800	250	250	250	250	250	250	239
2900	250	250	250	250	250	250	250
3000	250	250	250	250	250	250	250



HINGES / SURFACE HINGES

WX HINGE / SELECTION ACCORDING TO THE PERMITTED LOAD



Private building



Public building



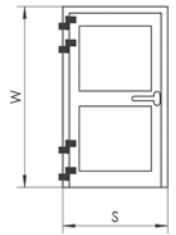
Door closer



2-Wing Hinge



3-Wing Hinge



In case of the door higher than 2200mm, it is required to put additional hinge in the middle to caulk the door leaf.

		2 x						
W \ S		800	900	1000	1100	1200	1300	1400
2000	140	140	140	130	120	111	103	96
2100	140	140	140	137	126	117	108	100
2200	140	140	140	140	133	123	114	105
2300	140	140	140	140	139	129	119	111
2400	140	140	140	140	140	135	125	116
2500	140	140	140	140	140	140	132	122
2600	140	140	140	140	140	140	138	128
2700	140	140	140	140	140	140	140	134
2800	140	140	140	140	140	140	140	140
2900	140	140	140	140	140	140	140	140
3000	140	140	140	140	140	140	140	140

		3 x 2 x						
W \ S		800	900	1000	1100	1200	1300	1400
2000	198	184	170	157	146	135	125	
2100	200	193	179	165	153	142	131	
2200	200	200	187	174	161	149	138	
2300	200	200	197	182	169	156	145	
2400	200	200	200	191	177	164	152	
2500	200	200	200	200	186	172	159	
2600	200	200	200	200	195	181	167	
2700	200	200	200	200	200	190	176	
2800	200	200	200	200	200	199	185	
2900	200	200	200	200	200	200	194	
3000	200	200	200	200	200	200	200	

		3 x						
W \ S		800	900	1000	1100	1200	1300	1400
2000	230	216	200	185	171	159	147	
2100	230	227	210	194	180	167	154	
2200	230	230	221	204	189	175	162	
2300	230	230	230	214	198	184	170	
2400	230	230	230	225	208	193	179	
2500	230	230	230	230	219	203	188	
2600	230	230	230	230	230	213	197	
2700	230	230	230	230	230	223	207	
2800	230	230	230	230	230	230	217	
2900	230	230	230	230	230	230	228	
3000	230	230	230	230	230	230	230	

		4 x						
W \ S		800	900	1000	1100	1200	1300	1400
2000	280	259	240	222	206	191	176	
2100	280	272	252	233	216	200	185	
2200	280	280	265	245	227	210	194	
2300	280	280	278	257	238	221	204	
2400	280	280	280	270	250	232	214	
2500	280	280	280	280	263	243	225	
2600	280	280	280	280	276	255	236	
2700	280	280	280	280	280	268	248	
2800	280	280	280	280	280	280	261	
2900	280	280	280	280	280	280	274	
3000	280	280	280	280	280	280	280	



MX HINGE



MX8010456X
MX8020456X



MX8010458X
MX8020458X



MX8010457X
MX8020457X



MX8010459X
MX8020459X

AVAILABLE COLOURS



PLASTIC COVERS



CODE

STAINLESS PIN

GALVANISED STEEL PIN

TYPE

STAINLESS PIN	GALVANISED STEEL PIN	TYPE
MX8010456X	MX8020456X	2-WING MX ASYMMETRICAL HINGE
MX8010457X	MX8020457X	3-WING MX ASYMMETRICAL HINGE
MX8010458X	MX8020458X	2-WING MX SYMMETRICAL HINGE
MX8010459X	MX8020459X	3-WING MX SYMMETRICAL HINGE

MX HINGE CLASSIFICATION EN 1935:2002 + EN 1935:2002/AC:2003

for use in emergency exit doors

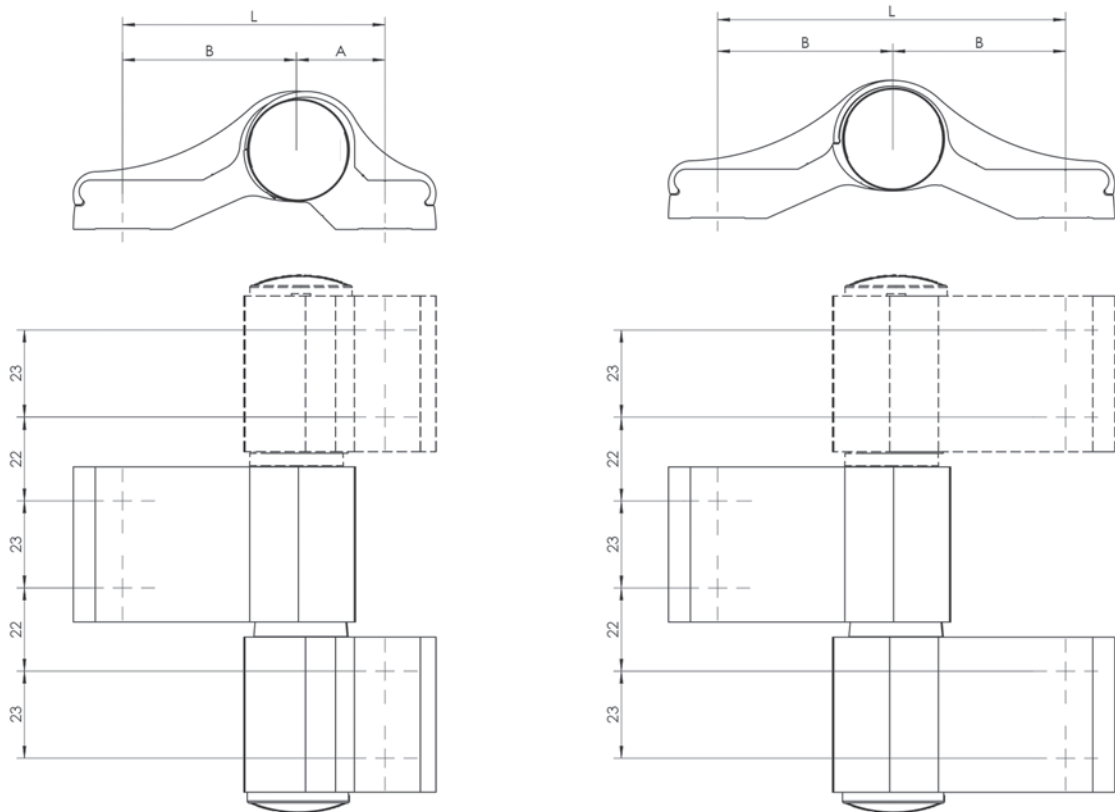
1	2	3	4	5	6	7	8
4	7	7	0	1	3	1	14

X – colour code as indicated in the list of WALA colours



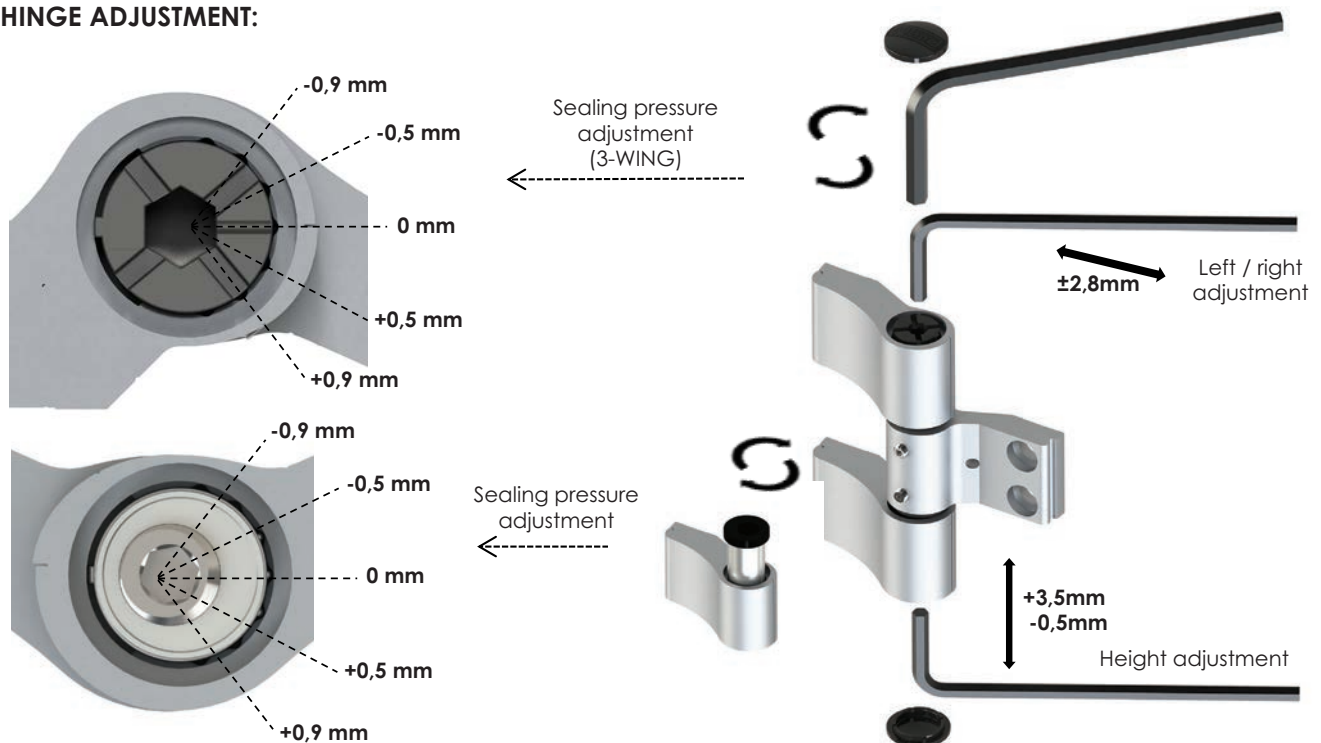
HINGES / SURFACE HINGES

MX HINGE / DIMENSIONS AND ADJUSTMENT



CODE (stainless pin)	CODE (galvanised steel pin)	TYPE	L	A	B
MX8010456X	MX8020456X	2-WING MX ASYMMETRICAL HINGE	67	21	46
MX8010458X	MX8020458X	2-WING MX SYMMETRICAL HINGE	92	46	46
MX8010457X	MX8020457X	3-WING MX ASYMMETRICAL HINGE	67	21	46
MX8010459X	MX8020459X	3-WING MX SYMMETRICAL HINGE	92	46	46

WX HINGE ADJUSTMENT:



HINGES / SURFACE HINGES

MX HINGE / SELECTION ACCORDING TO THE PERMITTED LOAD



Private building



Public building



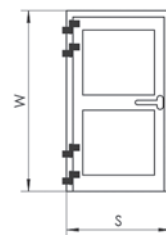
Door closer



2-Wing Hinge







3-Wing Hinge



In case of the door higher than 2200mm, it is required to put additional hinge in the middle to caulk the door leaf.

 +
 
2 x


W \ S	800	900	1000	1100	1200	1300	1400
2000	78	73	67	62	58	54	50
2100	82	76	70	66	61	56	52
2200	86	80	74	69	63	59	54
2300	90	84	78	72	66	62	57
2400	95	88	82	76	70	65	60
2500	100	93	86	79	74	68	63
2600	104	98	90	82	78	71	66
2700	104	102	94	87	81	75	70
2800	104	104	99	92	85	79	73
2900	104	104	104	97	90	82	77
3000	104	104	104	102	94	87	81

 +
 
3 x

2 x


W \ S	800	900	1000	1100	1200	1300	1400
2000	105	97	90	83	77	71	66
2100	110	102	94	87	81	74	69
2200	115	106	98	91	85	78	73
2300	121	112	104	96	89	82	76
2400	127	118	109	101	94	86	80
2500	134	123	114	106	98	90	84
2600	140	130	120	111	103	95	88
2700	144	136	126	117	108	100	93
2800	144	143	132	122	114	105	98
2900	144	144	139	129	119	110	102
3000	144	144	144	135	125	116	107

 +
 
3 x


W \ S	800	900	1000	1100	1200	1300	1400
2000	135	126	116	107	96	86	76
2100	142	131	122	113	105	97	90
2200	149	138	128	118	110	102	94
2300	157	145	134	124	115	106	98
2400	165	152	141	130	121	112	104
2500	173	160	148	137	127	118	109
2600	176	168	155	144	134	123	114
2700	176	176	163	151	140	130	120
2800	176	176	171	158	147	136	126
2900	176	176	176	166	154	143	132
3000	176	176	176	175	162	150	139

 +
 
4 x


W \ S	800	900	1000	1100	1200	1300	1400
2000	175	162	150	139	129	119	110
2100	184	170	158	146	135	126	116
2200	194	179	166	154	142	132	122
2300	200	188	174	162	150	138	128
2400	200	198	183	170	157	145	134
2500	200	200	192	178	165	152	141
2600	200	200	200	186	173	160	148
2700	200	200	200	196	182	168	155
2800	200	200	200	200	190	176	163
2900	200	200	200	200	200	186	171
3000	200	200	200	200	200	194	180



HINGES / SURFACE HINGES

MX HINGE / SELECTION ACCORDING TO THE PERMITTED LOAD



Private building



Public building



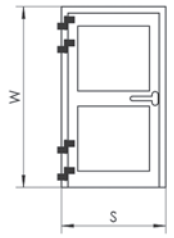
Door closer



2-Wing Hinge



3-Wing Hinge



In case of the door higher than 2200mm, it is required to put additional hinge in the middle to caulk the door leaf.

+ + = 2 x

W \ S	800	900	1000	1100	1200	1300	1400
2000	98	90	84	78	72	66	62
2100	103	95	88	82	76	70	65
2200	104	100	93	86	79	74	68
2300	104	104	98	90	83	77	71
2400	104	104	102	94	87	81	75
2500	104	104	104	99	92	85	79
2600	104	104	104	104	97	90	82
2700	104	104	104	104	102	94	87
2800	104	104	104	104	104	98	91
2900	104	104	104	104	104	103	96
3000	104	104	104	104	104	104	101

+ + = 3 x + 2 x

W \ S	800	900	1000	1100	1200	1300	1400
2000	138	128	118	110	102	94	87
2100	144	134	124	115	106	98	91
2200	144	141	130	121	112	104	96
2300	144	144	137	127	118	109	101
2400	144	144	144	134	123	114	106
2500	144	144	144	140	130	120	111
2600	144	144	144	144	136	126	117
2700	144	144	144	144	143	132	122
2800	144	144	144	144	144	139	129
2900	144	144	144	144	144	144	135
3000	144	144	144	144	144	144	142

+ + = 3 x

W \ S	800	900	1000	1100	1200	1300	1400
2000	173	160	148	137	127	118	109
2100	176	168	155	144	134	123	114
2200	176	176	163	151	140	130	120
2300	176	176	171	158	147	136	126
2400	176	176	176	166	154	143	132
2500	176	176	176	175	162	150	139
2600	176	176	176	176	170	158	146
2700	176	176	176	176	176	166	153
2800	176	176	176	176	176	174	161
2900	176	176	176	176	176	176	169
3000	176	176	176	176	176	176	176

+ + = 4 x

W \ S	800	900	1000	1100	1200	1300	1400
2000	200	190	176	163	151	140	130
2100	200	199	185	171	158	146	136
2200	200	200	194	180	166	154	142
2300	200	200	200	189	174	162	150
2400	200	200	200	198	183	170	158
2500	200	200	200	200	193	178	165
2600	200	200	200	200	200	187	174
2700	200	200	200	200	200	197	182
2800	200	200	200	200	200	200	191
2900	200	200	200	200	200	200	200
3000	200	200	200	200	200	200	200



HINGES / SURFACE HINGES

MX HINGE / SELECTION ACCORDING TO THE PERMITTED LOAD



Private building



Public building



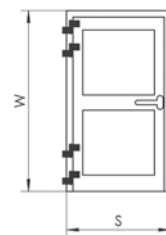
Door closer



2-Wing Hinge



3-Wing Hinge



In case of the door higher than 2200mm, it is required to put additional hinge in the middle to caulk the door leaf.

		2 x						
W \ S		800	900	1000	1100	1200	1300	1400
2000		112	112	104	96	89	82	77
2100		112	112	110	101	94	86	80
2200		112	112	112	106	98	91	84
2300		112	112	112	111	103	95	89
2400		112	112	112	112	108	100	93
2500		112	112	112	112	112	106	98
2600		112	112	112	112	112	110	102
2700		112	112	112	112	112	112	107
2800		112	112	112	112	112	112	112
2900		112	112	112	112	112	112	112
3000		112	112	112	112	112	112	112

		3 x 2 x						
W \ S		800	900	1000	1100	1200	1300	1400
2000		158	147	136	126	117	108	100
2100		160	154	143	132	122	114	105
2200		160	160	150	139	129	119	110
2300		160	160	158	146	135	125	116
2400		160	160	160	153	142	131	122
2500		160	160	160	160	149	138	127
2600		160	160	160	160	156	145	134
2700		160	160	160	160	160	152	141
2800		160	160	160	160	160	159	148
2900		160	160	160	160	160	160	155
3000		160	160	160	160	160	160	160

		3 x						
W \ S		800	900	1000	1100	1200	1300	1400
2000		184	173	160	148	137	127	118
2100		184	182	168	155	144	134	123
2200		184	184	177	163	151	140	130
2300		184	184	184	171	158	147	136
2400		184	184	184	180	166	154	143
2500		184	184	184	184	175	162	150
2600		184	184	184	184	184	170	158
2700		184	184	184	184	184	178	166
2800		184	184	184	184	184	184	174
2900		184	184	184	184	184	184	182
3000		184	184	184	184	184	184	184

		4 x						
W \ S		800	900	1000	1100	1200	1300	1400
2000		224	207	192	178	165	153	141
2100		224	218	202	186	173	160	148
2200		224	224	212	196	182	168	155
2300		224	224	222	206	190	177	163
2400		224	224	224	216	200	186	171
2500		224	224	224	224	210	194	180
2600		224	224	224	224	221	204	189
2700		224	224	224	224	224	214	198
2800		224	224	224	224	224	224	209
2900		224	224	224	224	224	224	219
3000		224	224	224	224	224	224	224



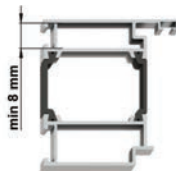
WX, MX HINGE / MOUNTING SETS

MOUNTING SETS FOR PROFILE WITHOUT THERMAL BARRIER



	CONTENTS OF THE SET	GALVANISED STEEL	304 A2 STEEL		CONTENTS OF THE SET	GALVANISED STEEL	304 A2 STEEL
	4 x positioning screw 2 x WN block	WX80SU4700	WX80SU4700 INOX		6 x positioning screw 1 x WN block 1 x WN long block	WX80SU4710	WX80SU4710 INOX
	4 x M8x25 screw 4 x positioning sleeve 2 x WN block	WX80104700	○		6 x M8x25 screw 6 x positioning sleeve 1 x WN block 1 x WN long block	WX80104710	○

MOUNTING SETS FOR PROFILE WITH NARROW THERMAL BARRIER FROM THE HINGE SIDE (AT LEAST 8mm WIDTH)



	CONTENTS OF THE SET	GALVANISED STEEL	304 A2 STEEL		CONTENTS OF THE SET	GALVANISED STEEL	304 A2 STEEL
	4 x M8x25 screw 4 x positioning sleeve 2 x WKU block	WX80104900	○		6 x M8x25 screw 6 x positioning sleeve 3 x WKU block	WX80104910	○
	4 x positioning screw 2 x WKU block	WX80SU4900	WX80SU4900 INOX		6 x positioning screw 3 x WKU block	WX80SU4910	WX80SU4910 INOX

○ - set unavailable

WX, MX HINGE / MOUNTING SETS

MOUNTING SETS FOR PROFILE WITH THERMAL BARRIER









	CONTENTS OF THE SET	GALVANISED STEEL	304 A2 STEEL		CONTENTS OF THE SET	GALVANISED STEEL	304 A2 STEEL
	4 x M8X53 screw 4 x positioning sleeve 4 x adjusting sleeve (22 – 35mm) 2 x WN block	WX80104720	○		6 x M8X53 screw 6 x positioning sleeve 6 x adjusting sleeve (22 – 35mm) 1 x WN block 1 x WN long block	WX80104730	○
	4 x M8X53 screw 4 x short positioning sleeve 4 x dowel sleeve TKO 48mm	WX80104980	○		6 x M8X53 screw 6 x short positioning sleeve 6 x dowel sleeve TKO 48mm	WX80104990	○
	4 x M8x65 screw 4 x short positioning sleeve 4 x dowel sleeve TKO fire bushing 64mm	WX80105100	○		6 x M8x65 screw 6 x short positioning sleeve 6 x dowel sleeve TKO fire bushing 64mm	WX80105110	○
	4 x quick-fastening screw 58,5mm	WX80SD4980	WX80SD4980 INOX		6 x quick-fastening screw 58,5mm	WX80SD4990	WX80SD4990 INOX
	4 x long quick-fastening screw 71,5mm	WX80SD5100	○		6 x long quick-fastening screw 71,5mm	WX80SD5110	○
	4 x long quick-fastening screw 84,5mm	WX80SD5000	○		6 x long quick-fastening screw 84,5mm	WX80SD5001	○

○ - set unavailable




HINGES / SURFACE HINGES

WX, MX HINGE / MOUNTING SETS


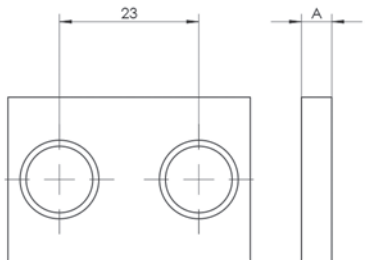
	CONTENTS OF THE SET	GALVANISED STEEL	304 A2 STEEL		CONTENTS OF THE SET	GALVANISED STEEL	304 A2 STEEL
	2 x M8x33 screw 2 x positioning sleeve 1 x WN block 2 x quick-fastening screw 71,5mm	WX80SD5220	○		4 x M8x33 screw 4 x positioning sleeve 1 x WN long block 2 x quick-fastening screw 71,5mm	WX80SD5230	○
	2 x positioning screw 1 x WN block 2 x quick-fastening screw 58,5mm	WX80DU5120	WX80DU5120 INOX		4 x positioning screw 1 x WN long block 2 x quick-fastening screw 58,5mm	WX80DU5130	WX80DU5130 INOX
	2 x M8x33 screw 2 x positioning sleeve 1 x WN block 2 x quick-fastening screw 58,5mm	WX80SD5120	○		4 x M8x33 screw 4 x positioning sleeve 1 x WN long block 2 x quick-fastening screw 58,5mm	WX80SD5130	○

○ - zestaw niedostępny

MOUNTING SETS-BIG PACK

	CONTENTS OF THE SET	CODE		CONTENTS OF THE SET	CODE
	positioning screw: 200pcs. WN block: 100pcs.	WX50SU4700		quick-fastening screw 58,5mm: 200pcs.	WX50SD4980
	long quick-fastening screw 71,5mm: 200pcs.	WX50SD5100			


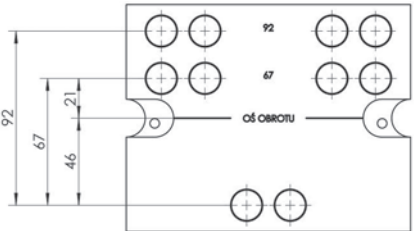
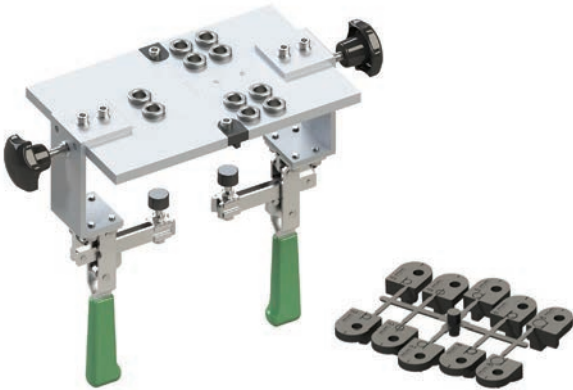
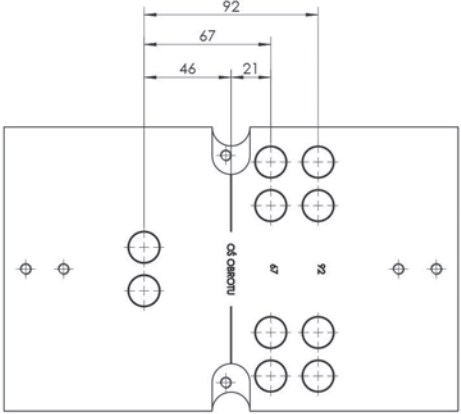

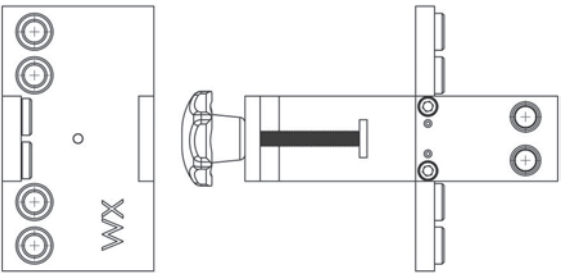
WX DISTANCE PLATE

	ELEMENT	DRAWING	THICKNESS [A]
	WX DISTANCE PLATE	 <p>The plate must be selected for a suitable mounting set.</p>	2mm 3mm 5mm 8mm 10mm



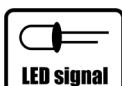
WX, MX HINGE / PATTERNS FOR DRILLING

PATTERNS FOR SURFACE HINGES

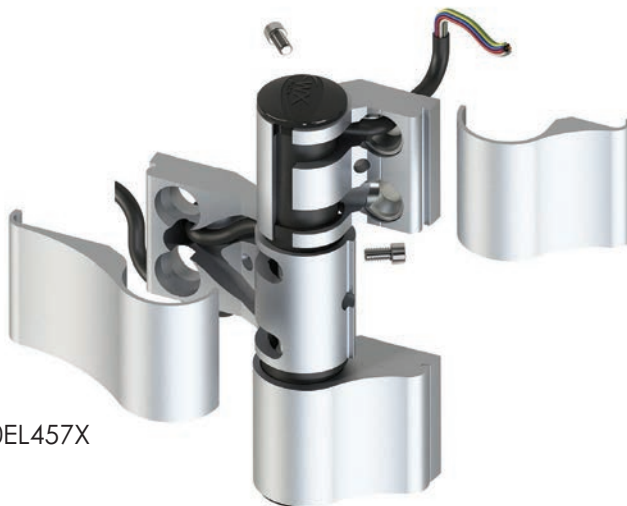
CODE	PICTURE	DRAWING
S1		 <p data-bbox="948 846 1485 898">S1 Pattern for WX and MX Surface Hinge, dimension 67/92</p>
S2		 <p data-bbox="948 1406 1485 1458">S2 Pattern for WX and MX Surface Hinge, dimension 67/92</p>
S3		 <p data-bbox="1050 1966 1385 1995">S3 Pattern for WX Angular Hinge</p>

HINGES / SURFACE HINGES

WX ELECTRO HINGE



WX ELECTRO Hinge is intended to transfer ICT signals from the door frame to the door leaf. The signal can be transferred with max. 10-core cable with a cross-section of 0.14. Thanks to this, it is suitable for LAN computer networks, to supply LED lighting or handles with e-line components, replacing commonly used cable glands.



WX80EL457X



WX80EL459X

AVAILABLE COLOURS						CODE	TYPE
						WX80EL457X	WX ELECTRO ASYMMETRICAL HINGE
INOX	ANODE	WHITE RAL 9016	BLACK RAL 9005	BROWN RAL 8019	BROWN RAL 8017	WX80EL459X	WX ELECTRO SYMMETRICAL HINGE
						WX ELECTRO HINGE CLASSIFICATION EN 1935:2002 + EN 1935:2002/AC:2003 for use in emergency exit doors	
SILVER RAL 9006	RAL 1036	GOLDEN OAK	ANTHRACITE RAL 7016	ANY RAL		1	2
						4	7
						7	0
						1	3
						1	14

X – colour code as indicated in the list of WALA colours

PLASTIC COVERS



BLACK

WHITE



WX ELECTRO HINGE / MOUNTING SETS

MOUNTING SETS FOR PROFILE WITHOUT THERMAL BARRIER



	CONTENTS OF THE SET	GALVANISED STEEL	304 A2 STEEL		CONTENTS OF THE SET	GALVANISED STEEL	304 A2 STEEL
	5 x M8x25 screw 5 x positioning sleeve 1 x WN electro block 1 x WN long block	WX80104710E	○		5 x positioning screw 1 x WN electro block 1 x WN long block	WX80SU4710E	○

MOUNTING SETS FOR PROFILE WITH THERMAL BARRIER

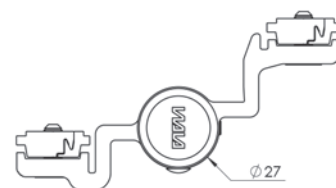
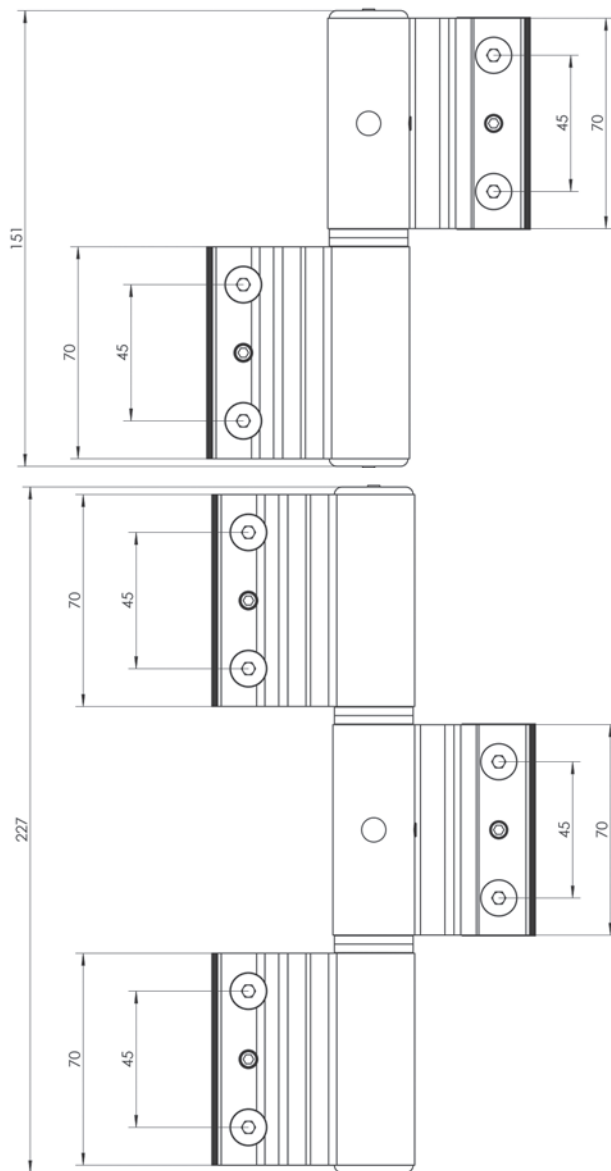


	CONTENTS OF THE SET	GALVANISED STEEL	304 A2 STEEL		CONTENTS OF THE SET	GALVANISED STEEL	304 A2 STEEL
	5 x quick-fastening screw 58,5mm	WX80SD4990E	WX80SD4990E INOX		5 x M8X53 screw 5 x short positioning sleeve 5 x dowel sleeve TKO	WX80104990E	○

○ - set unavailable

HINGES / GROOVE HINGES

SWW HINGE



AVAILABLE COLOURS						CODE	TYPE
						8010439X-Y	2 - WING SWW-Y GROOVE HINGE
						8010441X-Y	3 - WING SWW-Y GROOVE HINGE
						8010439X-A	2 - WING SWW ALUPROF GROOVE HINGE
						8010441X-A	3 - WING SWW ALUPROF GROOVE HINGE
SWW HINGE CLASSIFICATION EN 1935:2002 + EN 1935:2002/AC:2003							
for use in emergency exit doors							
1	2	3	4	5	6	7	8
4	7	6	0	1	3	1	13

PLASTIC COVERS

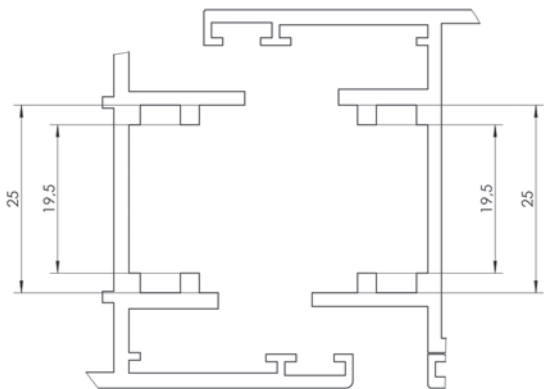


X – colour code as indicated in the list of WALA colours



HINGES / GROOVE HINGES

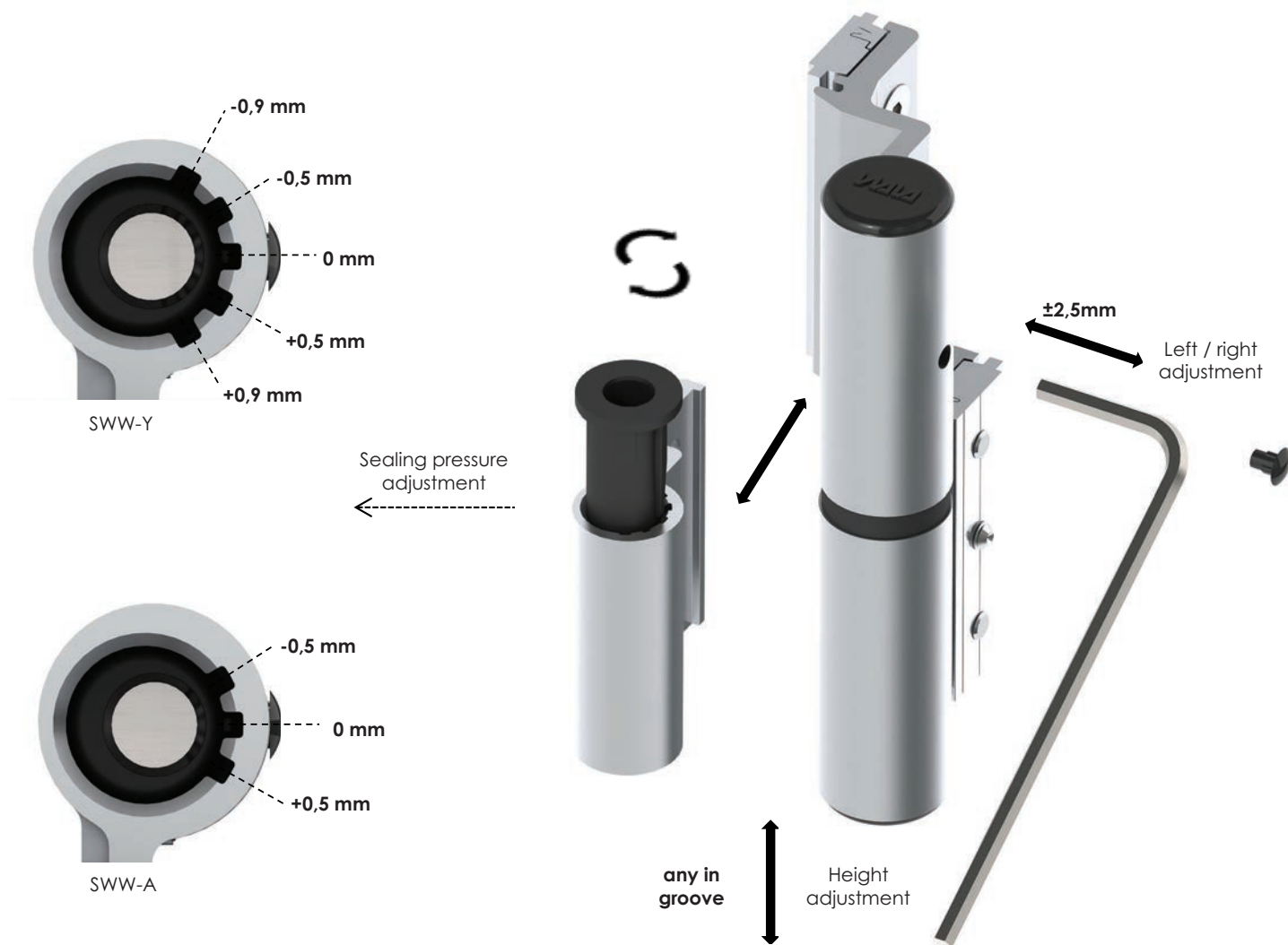
SWW HINGE / SELECTION AND ADJUSTMENT



SWW Hinge is suitable for grooves 25/19,5 to the following profiles:

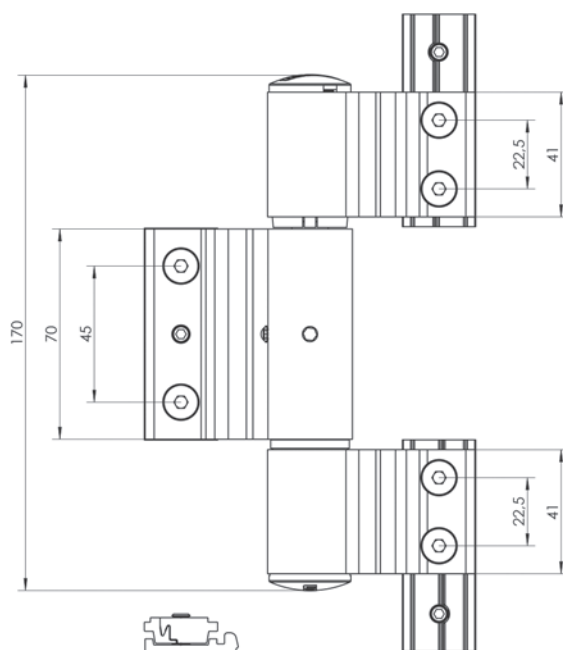
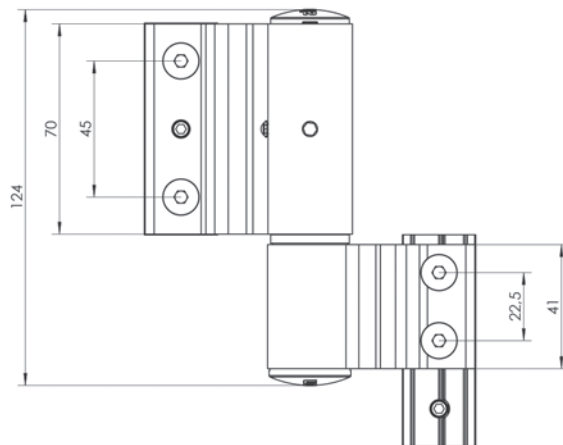
SYMBOL	SYSTEM COMPANY	SYSTEMS
Y	YAWAL	PBI 50N
Y	BLYWEERT	APOLLO COLD
A	ALUPROF	MB-59S, MB-45S

SWW HINGE ADJUSTMENT:



HINGES / GROOVE HINGES

XWW HINGE



AVAILABLE COLOURS						CODE	TYPE
						8010439X-L	2 - WING SWW-Y GROOVE HINGE
INOX	ANODE	WHITE RAL 9016	BLACK RAL 9005	BROWN RAL 8019	BROWN RAL 8017	8010441X-L	3 - WING SWW-Y GROOVE HINGE
XWW HINGE CLASSIFICATION EN 1935:2002 + EN 1935:2002/AC:2003 for use in emergency exit doors							
SILVER RAL 9006	RAL 1036	ANTHRACITE ANY RAL RAL 7016					
1	2	3	4	5	6	7	8
4	7	6	0	1	3	1	13

X - colour code as indicated in the list of WALA colours

PLASTIC COVERS



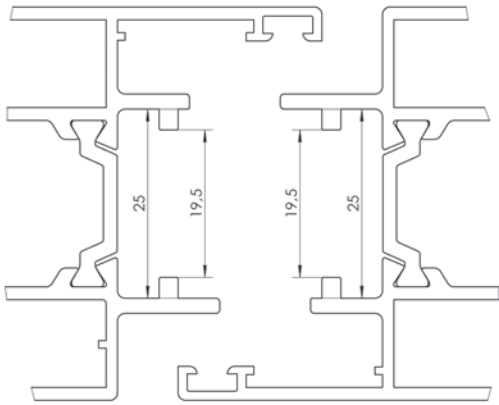
BLACK

WHITE



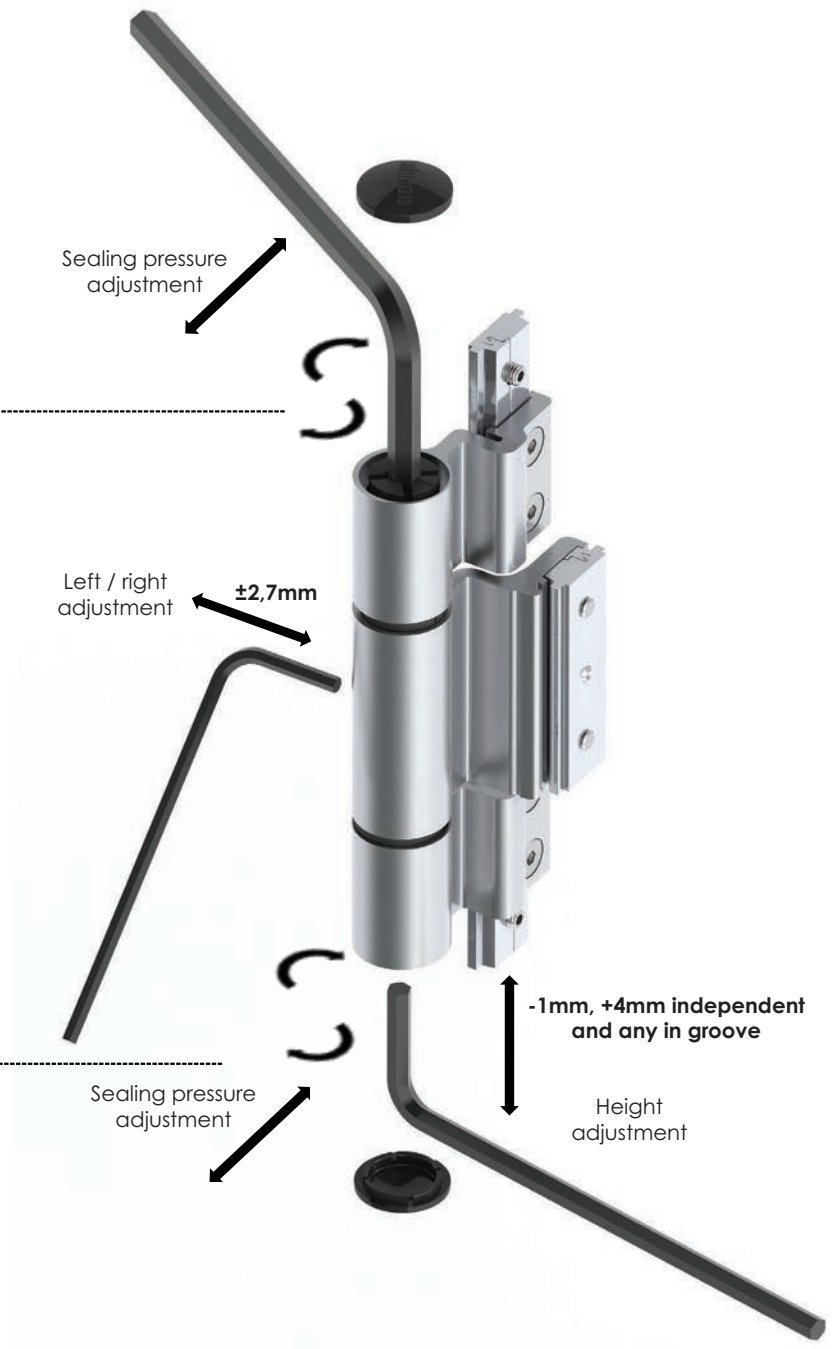
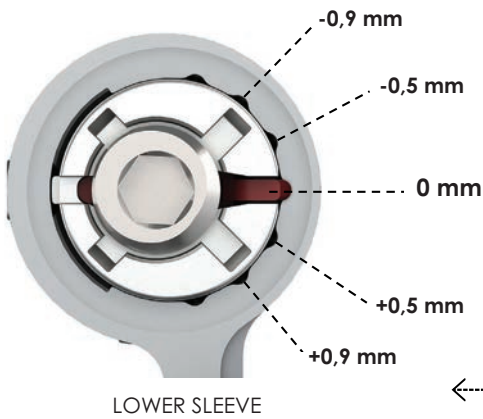
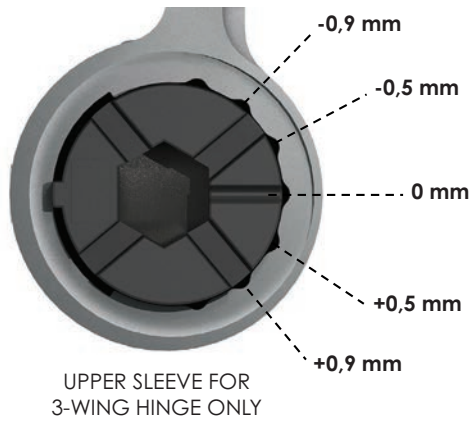
HINGES / GROOVE HINGES

XWW HINGE / SELECTION AND ADJUSTMNT



XWW Hinge is suitable for grooves 25/19,5 to Aluron systems: ACS 50 or AS 52

XWW HINGE ADJUSTMENT:



HINGES / GROOVE HINGES

SWW AND XWW HINGE / SELECTION ACCORDING TO THE PERMITTED LOAD



Private building



Door closer



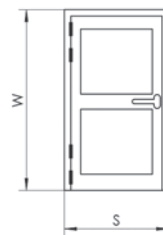
2-Wing Hinge



3-Wing Hinge



Public building



In case of the door higher than 2200mm, it is required to put additional hinge in the middle to caulk the door leaf.

+ 2 x	W \ s	800	900	1000	1100	1200
	2000	58	54	50	46	43
	2100	60	57	53	49	45
	2200	60	60	55	51	47
	2300	60	60	58	54	50
	2400	60	60	60	56	52
2500	60	60	60	59	55	

+ 3 x	W \ s	800	900	1000	1100	1200
	2000	99	92	85	79	73
	2100	104	96	89	83	77
	2200	105	101	94	87	80
	2300	105	105	98	91	84
	2400	105	105	103	96	89
2500	105	105	105	100	93	

+ + 2 x	W \ s	800	900	1000	1100	1200
	2000	64	59	55	51	47
	2100	67	62	58	53	50
	2200	71	65	61	56	52
	2300	74	69	64	59	55
	2400	75	72	67	62	57
2500	75	75	70	65	60	

+ + 3 x	W \ s	800	900	1000	1100	1200
	2000	105	97	90	83	77
	2100	110	102	95	88	81
	2200	110	107	99	92	85
	2300	110	110	104	96	89
	2400	110	110	109	101	94
2500	110	110	110	106	98	

 2 x	W \ s	800	900	1000	1100	1200
	2000	70	65	60	56	51
	2100	73	68	63	58	54
	2200	77	71	66	61	57
	2300	81	75	69	64	60
	2400	85	79	73	68	63
2500	89	83	77	71	66	

 3 x	W \ s	800	900	1000	1100	1200
	2000	117	108	100	93	86
	2100	122	113	105	97	90
	2200	129	119	110	102	95
	2300	135	125	116	107	99
	2400	135	131	122	113	104
2500	135	135	128	118	109	

+ 2 x 2 x	W \ s	800	900	1000	1100	1200
	2000	76	70	65	60	56
	2100	80	74	68	63	59
	2200	84	77	72	66	61
	2300	85	81	75	70	65
	2400	85	85	79	73	68
2500	85	85	83	77	71	

+ + 4 x	W \ s	800	900	1000	1100	1200
	2000	117	108	100	93	86
	2100	120	113	105	97	90
	2200	120	119	110	102	95
	2300	120	120	116	107	99
	2400	120	120	120	113	104
2500	120	120	120	118	109	

+ + 3 x 2 x	W \ s	800	900	1000	1100	1200
	2000	87	81	75	69	64
	2100	92	85	79	73	68
	2200	95	89	83	77	71
	2300	95	94	87	80	74
	2400	95	95	91	84	78
2500	95	95	95	89	82	

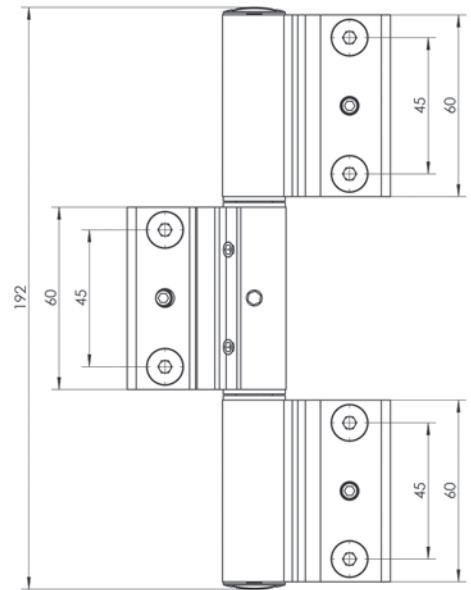
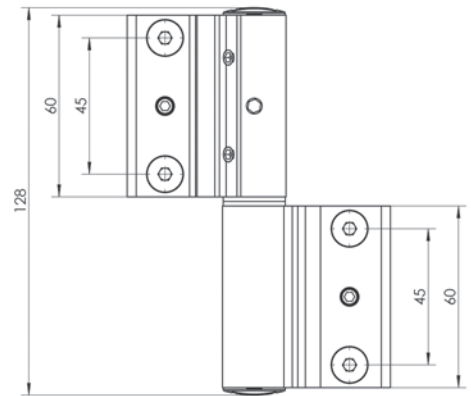
+ + 4 x	W \ s	800	900	1000	1100	1200
	2000	128	119	110	102	94
	2100	130	125	116	107	99
	2200	130	130	121	112	104
	2300	130	130	127	118	109
	2400	130	130	130	124	115
2500	130	130	130	130	120	

 3 x 2 x	W \ s	800	900	1000	1100	1200
	2000	93	86	80	74	69
	2100	98	91	84	78	72
	2200	103	95	88	82	76
	2300	108	100	93	86	79
	2400	113	105	97	90	83
2500	115	110	102	95	88	

 4 x	W \ s	800	900	1000	1100	1200
	2000	134	124	115	106	99
	2100	141	130	121	112	104
	2200	148	137	127	117	109
	2300	150	144	133	123	114
	2400	150	150	140	129	120
2500	150	150	147	136	126	

HINGES / GROOVE HINGES

RWE HINGE



AVAILABLE COLOURS	CODE	TYPE
	RWE8010439X	2-WING RWE EUROGROOVE HINGE
	RWE8010441X	3-WING RWE EUROGROOVE HINGE

X - colour code as indicated in the list of WALA colours



PLASTIC COVERS



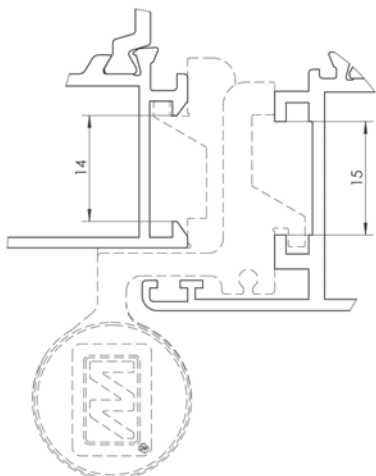
BLACK



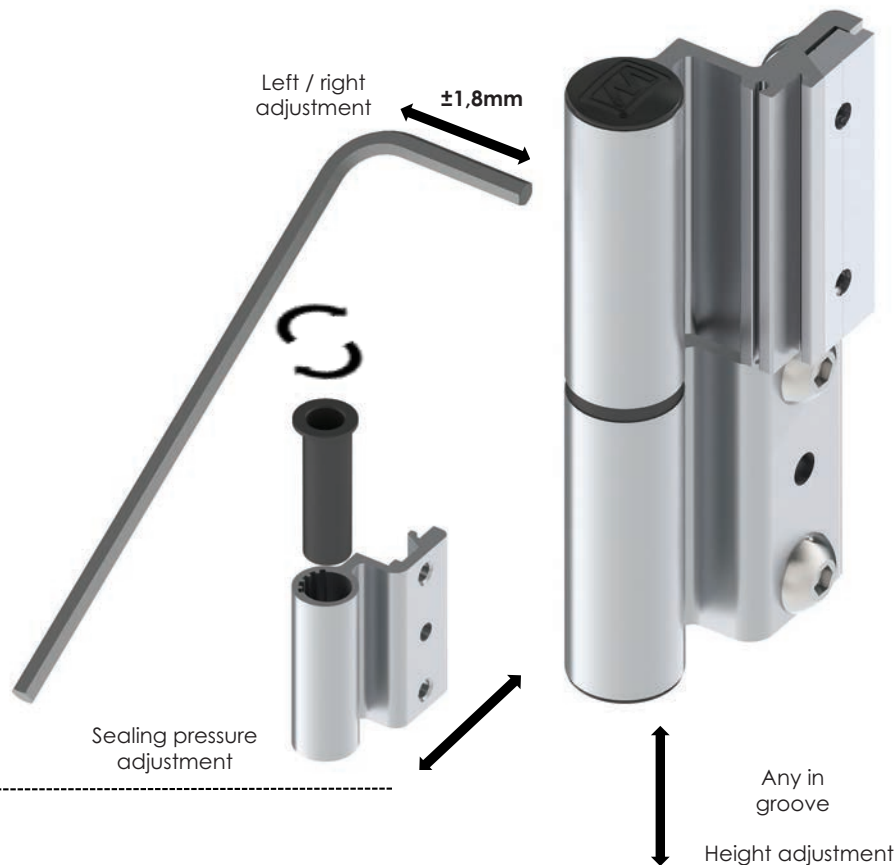
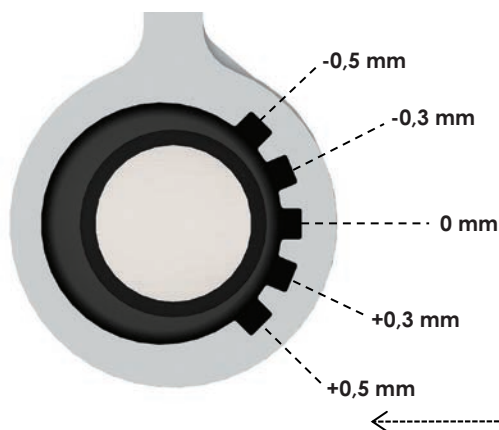
HINGES / GROOVE HINGES

RWE HINGE / SELECTION AND ADJUSTMENT

RWE Hinge is suitable for aluminium euro groove systems with the door frame of the width 14mm and the door leaf of the width 15mm

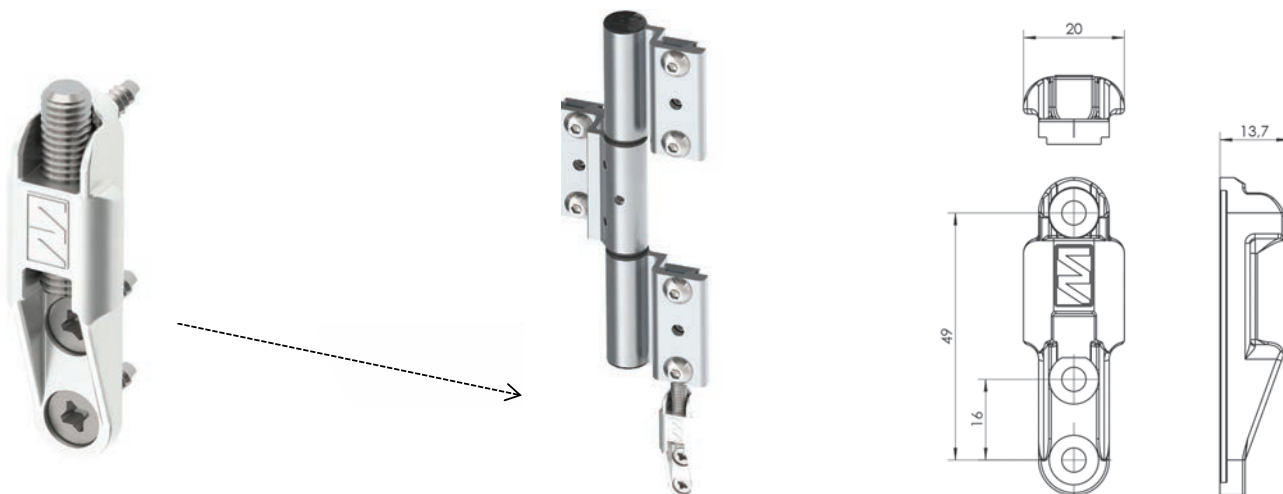


RWE HINGE ADJUSTMENT:



SUPPLEMENTARY ELEMENTS FOR RWE HINGE

CODE	TYPE
WZW0000000131	HEIGHT REGULATOR FOR RWE HINGE WITH M8 SCREW AND SELF-DRILLING SCREWS (sold separately)



Height regulator RWE eases the door height adjustment and protects doors against falling if the assembly screws are loosened for adjustment. Made of cast zinc alloy, screws are made of stainless steel.



HINGES / GROOVE HINGES

RWE HINGE / SELECTION ACCORDING TO THE PERMITTED LOAD



Private building



Door closer



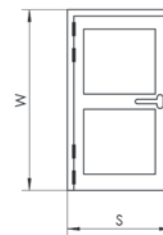
2-Wing Hinge






3-Wing Hinge









Public building



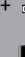




In case of the door higher than 2200mm, it is required to put additional hinge in the middle to caulk the door leaf.

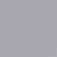

 +  2 x 	W \ s	800	900	1000	1100	1200
	2000	50	45	40	35	30
2100	55	50	45	40	35	
2200	60	55	50	45	40	
2300	60	60	55	50	45	
2400	60	60	60	55	50	
2500	60	60	60	60	55	





 +  3 x 	W \ s	800	900	1000	1100	1200
	2000	89	82	74	66	58
2100	97	89	82	74	66	
2200	105	97	89	82	74	
2300	105	105	97	89	82	
2400	105	105	105	97	89	
2500	105	105	105	105	97	




 +  2 x 	W \ s	800	900	1000	1100	1200
	2000	60	55	50	45	40
2100	65	60	55	50	45	
2200	70	65	60	55	50	
2300	70	70	65	60	55	
2400	70	70	70	65	60	
2500	70	70	70	70	65	





 +  3 x 	W \ s	800	900	1000	1100	1200
	2000	99	92	84	76	68
2100	107	99	92	84	76	
2200	115	107	99	92	84	
2300	115	115	107	99	92	
2400	115	115	115	107	99	
2500	115	115	115	115	107	


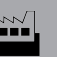
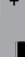
 2 x 	W \ s	800	900	1000	1100	1200
	2000	70	65	60	55	50
2100	75	70	65	60	55	
2200	80	75	70	65	60	
2300	80	80	75	70	65	
2400	80	80	80	75	70	
2500	80	80	80	80	75	




 3 x 	W \ s	800	900	1000	1100	1200
	2000	109	102	94	86	78
2100	117	109	102	94	86	
2200	125	117	109	102	94	
2300	125	125	117	109	102	
2400	125	125	125	117	109	
2500	125	125	125	125	117	

 +  2 x  2 x 	W \ s	800	900	1000	1100	1200
	2000	72	65	59	52	46
2100	78	72	65	59	52	
2200	85	78	72	65	59	
2300	85	85	78	72	65	
2400	85	85	85	78	72	
2500	85	85	85	85	78	

 +  4 x 	W \ s	800	900	1000	1100	1200
	2000	106	97	88	78	69
2100	116	106	97	88	78	
2200	125	116	106	97	88	
2300	125	125	116	106	97	
2400	125	125	125	116	106	
2500	125	125	125	125	116	

 +  3 x  2 x 	W \ s	800	900	1000	1100	1200
	2000	82	75	69	62	56
2100	88	82	75	69	62	
2200	95	88	82	75	69	
2300	95	95	88	82	75	
2400	95	95	95	88	82	
2500	95	95	95	95	88	

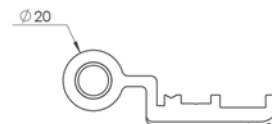
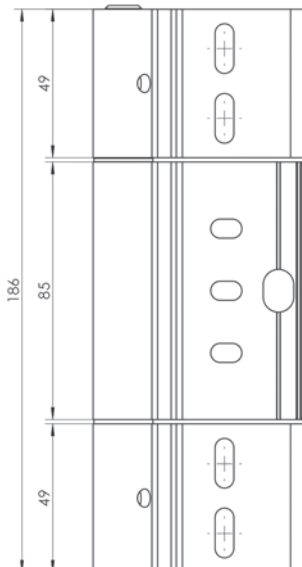
 +  4 x 	W \ s	800	900	1000	1100	1200
	2000	116	107	98	88	79
2100	126	116	107	98	88	
2200	135	126	116	107	98	
2300	135	135	126	116	107	
2400	135	135	135	126	116	
2500	135	135	135	135	126	

 3 x  2 x 	W \ s	800	900	1000	1100	1200
	2000	92	85	79	72	66
2100	98	92	85	79	72	
2200	105	98	92	85	79	
2300	105	105	98	92	85	
2400	105	105	105	98	92	
2500	105	105	105	105	98	

 4 x 	W \ s	800	900	1000	1100	1200
	2000	131	122	113	103	94
2100	141	131	122	113	103	
2200	150	141	131	122	113	
2300	150	150	141	131	122	
2400	150	150	150	141	131	
2500	150	150	150	150	141	

HINGES / ROLLER HINGES

WR ROLLER HINGE



The Hinge is also available with the covers made of 304 stainless steel, that works best with anodised wings.

External dimension of the cover: Ø22mm

AVAILABLE COLOURS

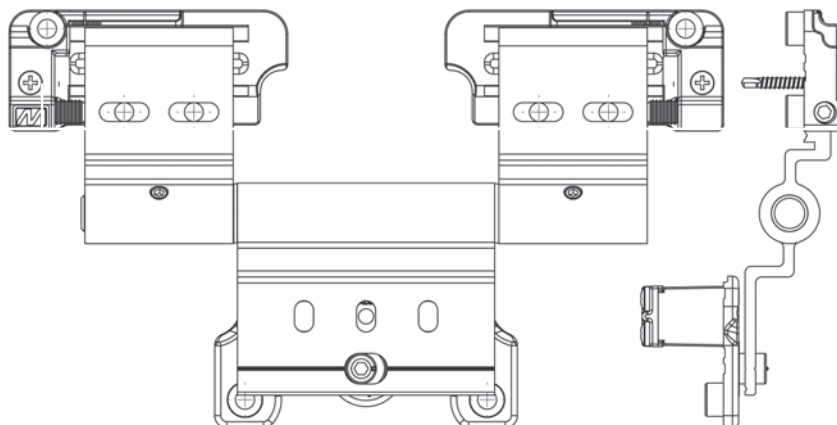


WR ROLLER HINGE CLASSIFICATION EN 1935:2002 + EN 1935:2002/AC:2003

for use in fire door and emergency exit doors

1	2	3	4	5	6	7	8
4	7	7	1	1	4	1	14

X - colour code as indicated in the list of WALA colours



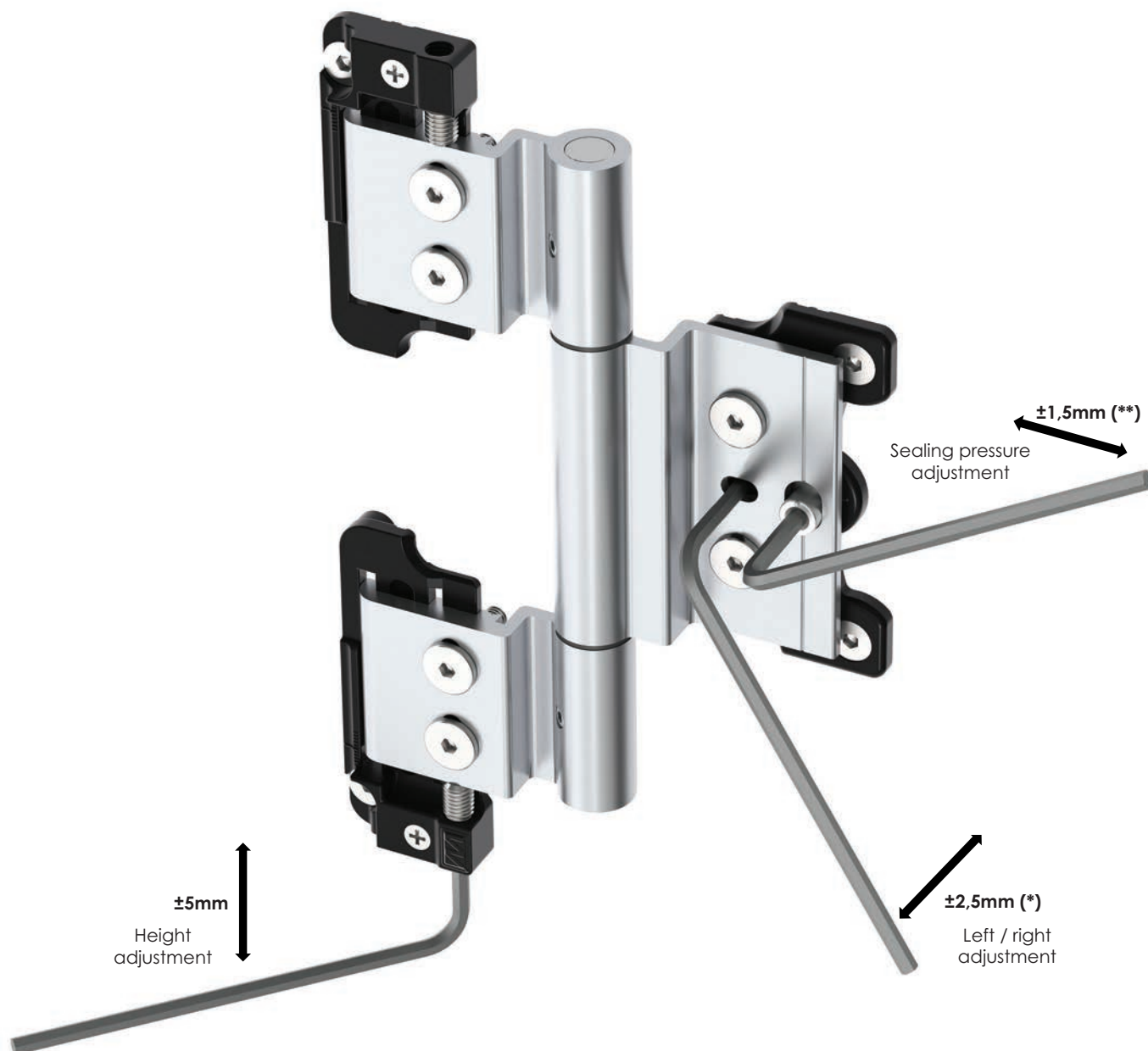
PLASTIC COVERS



BLACK



WR ROLLER HINGE / ADJUSTMENT



(*) – for aluminium systems with a gap at least 6mm, for systems with the gap 5mm, adjustment range is -1,5mm to +2,5mm (because of the wing's thickness 3,5mm).

(**) – actual range can differ due to the gap value at the seal, depending on aluminium system.

HINGES / ROLLER HINGES

WR ROLLER HINGE / SELECTION ACCORDING TO THE PERMITTED LOAD



Private building






Door closer





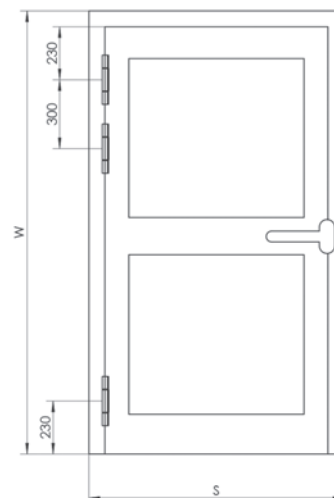
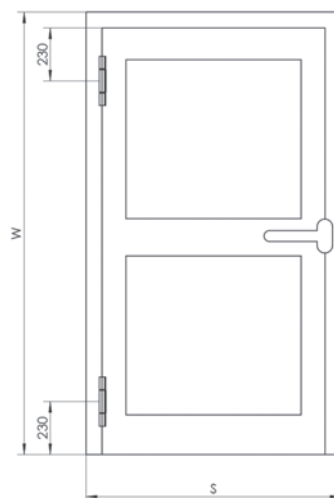
Public building

In case of the door higher than 2200mm, it is required to put additional hinge in the middle to caulk the door leaf.

 2 x	W \ s	800	900	1000	1100	1200	1300	1400
	2000	120	120	120	120	110	105	100
2100	120	120	120	120	115	110	105	100
2200	120	120	120	120	120	115	110	105
2300	120	120	120	120	120	120	115	110
2400	120	120	120	120	120	120	115	110
2500	120	120	120	120	120	120	120	115
2600	120	120	120	120	120	120	120	120
2700	120	120	120	120	120	120	120	120
2800	120	120	120	120	120	120	120	120
2900	120	120	120	120	120	120	120	120
3000	120	120	120	120	120	120	120	120

 +  2 x	W \ s	800	900	1000	1100	1200	1300	1400
	2000	100	100	100	100	90	85	80
2100	100	100	100	100	95	90	85	80
2200	100	100	100	100	100	95	90	85

 +  3 x	W \ s	800	900	1000	1100	1200	1300	1400
	2300	100	100	100	100	100	100	95
2400	100	100	100	100	100	100	95	90
2500	100	100	100	100	100	100	100	95
2600	100	100	100	100	100	100	100	100
2700	100	100	100	100	100	100	100	100
2800	100	100	100	100	100	100	100	100
2900	100	100	100	100	100	100	100	100
3000	100	100	100	100	100	100	100	100



HINGES / ROLLER HINGES

WR ROLLER HINGE / SELECTION ACCORDING TO THE PERMITTED LOAD



Private building





Door closer





Public building

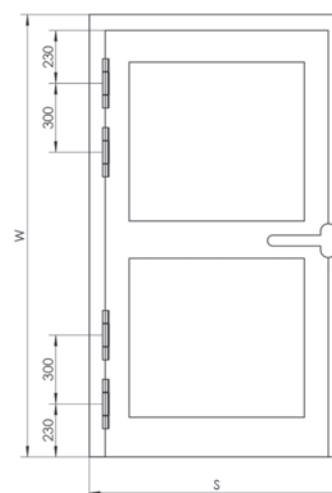
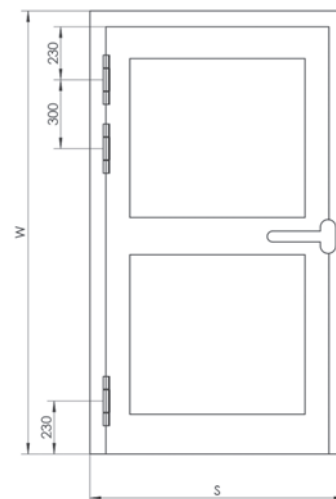
In case of the door higher than 2200mm, it is required to put additional hinge in the middle to caulk the door leaf.

 3 x	W \ s	800	900	1000	1100	1200	1300	1400
	2000	170	170	170	160	155	145	140
	2100	170	170	170	165	160	155	145
	2200	170	170	170	170	165	160	150

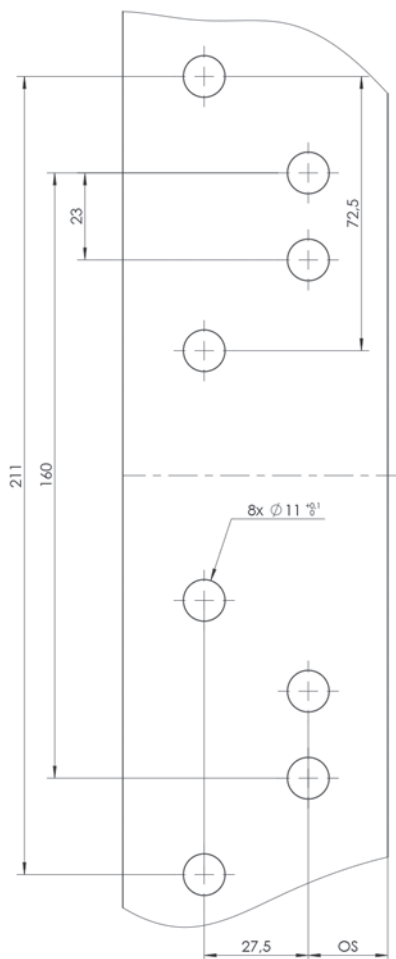
 3 x	W \ s	800	900	1000	1100	1200	1300	1400
	2000	150	150	150	140	135	125	120
	2100	150	150	150	145	140	135	125
	2200	150	150	150	150	145	140	130
	2300	150	150	150	150	150	145	140
	2400	150	150	150	150	150	145	140
	2500	150	150	150	150	150	150	145
	2600	150	150	150	150	150	150	150
	2700	150	150	150	150	150	150	150
	2800	150	150	150	150	150	150	150
	2900	150	150	150	150	150	150	150
	3000	150	150	150	150	150	150	150

 4 x	W \ s	800	900	1000	1100	1200	1300	1400
	2300	180	180	180	180	180	175	170
	2400	180	180	180	180	180	175	170
	2500	180	180	180	180	180	180	175
	2600	180	180	180	180	180	180	180
	2700	180	180	180	180	180	180	180
	2800	180	180	180	180	180	180	180
	2900	180	180	180	180	180	180	180
	3000	180	180	180	180	180	180	180

 4 x	W \ s	800	900	1000	1100	1200	1300	1400
	2000	180	180	180	170	165	155	150
	2100	180	180	180	175	170	165	155
	2200	180	180	180	180	175	170	160
	2300	180	180	180	180	180	175	170
	2400	180	180	180	180	180	175	170
	2500	180	180	180	180	180	180	175
	2600	180	180	180	180	180	180	180
	2700	180	180	180	180	180	180	180
	2800	180	180	180	180	180	180	180
	2900	180	180	180	180	180	180	180
3000	180	180	180	180	180	180	180	

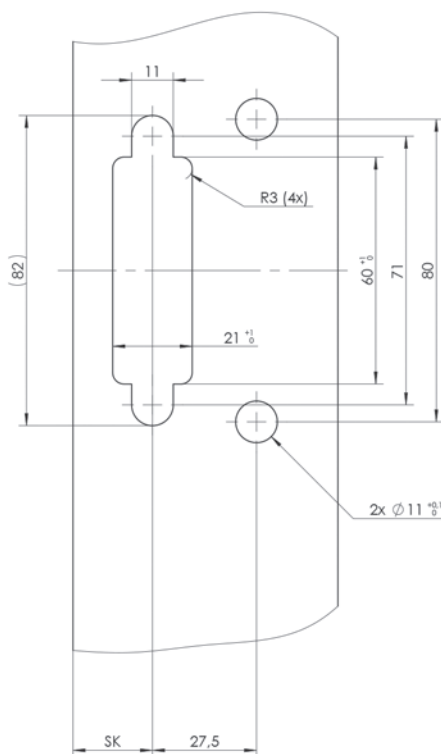


WR ROLLER HINGE / TOOLING IN ALUMINIUM PROFILES

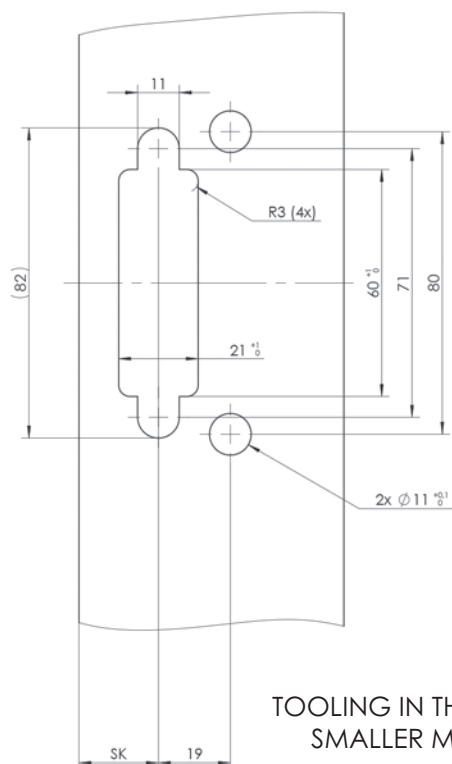


TOOLING IN THE DOOR FRAME

- OS** – THE VALUE OF TOOLING DISPLACEMENT FOR THE DOOR FRAME
- SK** – THE VALUE OF TOOLING DISPLACEMENT FOR THE DOOR LEAF
(VALUES ARE DIFFERENT FOR EACH SYSTEM AND SPECIFIED TOGETHER WITH OTHER PARAMETERS OF HOLES IN TOOLING DRAWINGS)

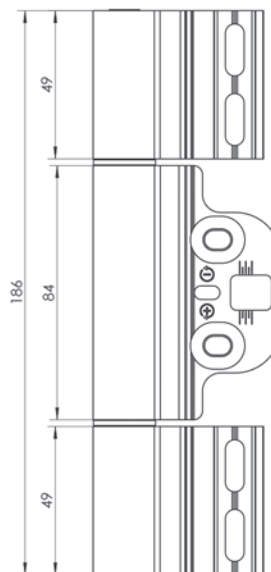


TOOLING IN THE DOOR LEAF
STANDARD MECHANISM



TOOLING IN THE DOOR LEAF
SMALLER MECHANISM

WR-1R ROLLER HINGE



WR-1R hinge is dedicated mostly to the inward opening in private buildings.

For March 2020 WR - 1R Hinge has not been certified because it is being implemented.

AVAILABLE COLOURS



INOX ANODE WHITE BLACK BROWN BROWN
RAL 9016 RAL 9005 RAL 8019 RAL 8017



SILVER GOLDEN ANTHRACITE ANY RAL
RAL 9006 RAL 1036 OAK RAL 7016

PLASTIC COVERS



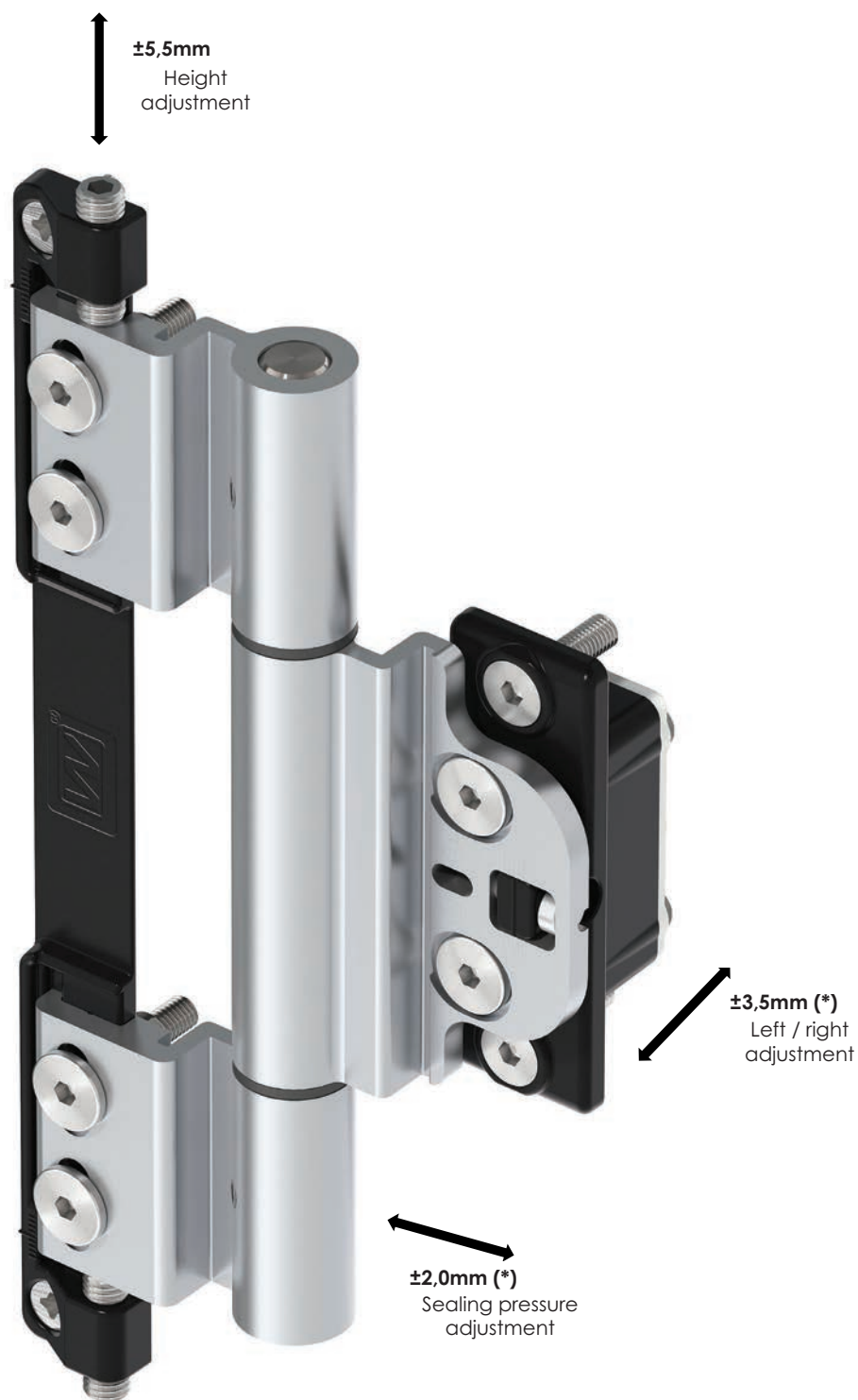
BLACK

X – colour code as indicated in the list of WALA colours



The Hinge is also available with the covers made of 304 stainless steel, that works best with anodised wings.
External dimension of the cover: Ø22,5mm

WR-1R ROLLER HINGE / ADJUSTMENT



(*) - actual range of adjustment in one of the directions may be smaller depending on the aluminum system and its limitation

HINGES / ROLLER HINGES

WR-1R ROLLER HINGE / SELECTION ACCORDING TO THE PERMITTED LOAD



Private building



Door closer



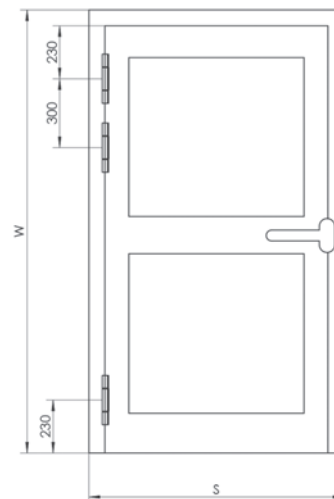
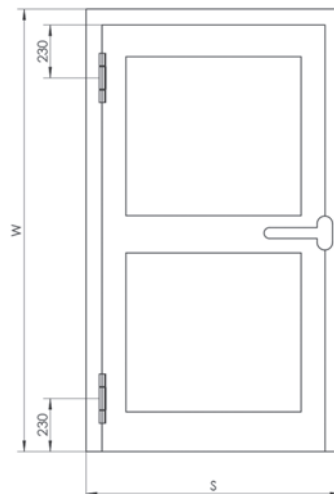
Public building

In case of the door higher than 2200mm, it is required to put additional hinge in the middle to caulk the door leaf.

Private building 2 x	W \ s	800	900	1000	1100	1200	1300	1400
	2000	110	110	110	110	100	95	90
2100	110	110	110	110	105	100	95	90
2200	110	110	110	110	110	105	100	95
2300	110	110	110	110	110	110	105	100
2400	110	110	110	110	110	110	105	100
2500	110	110	110	110	110	110	110	105
2600	110	110	110	110	110	110	110	110
2700	110	110	110	110	110	110	110	110
2800	110	110	110	110	110	110	110	110
2900	110	110	110	110	110	110	110	110
3000	110	110	110	110	110	110	110	110

Private building + Door closer 2 x	W \ s	800	900	1000	1100	1200	1300	1400
	2000	90	90	90	90	80	75	70
2100	90	90	90	90	85	80	75	70
2200	90	90	90	90	90	85	80	75

Private building + Door closer 3 x	W \ s	800	900	1000	1100	1200	1300	1400
	2300	90	90	90	90	90	90	85
2400	90	90	90	90	90	90	85	80
2500	90	90	90	90	90	90	90	85
2600	90	90	90	90	90	90	90	90
2700	90	90	90	90	90	90	90	90
2800	90	90	90	90	90	90	90	90
2900	90	90	90	90	90	90	90	90
3000	90	90	90	90	90	90	90	90



HINGES / ROLLER HINGES

WR-1R ROLLER HINGE / SELECTION ACCORDING TO THE PERMITTED LOAD



Private building



Door closer



Public building

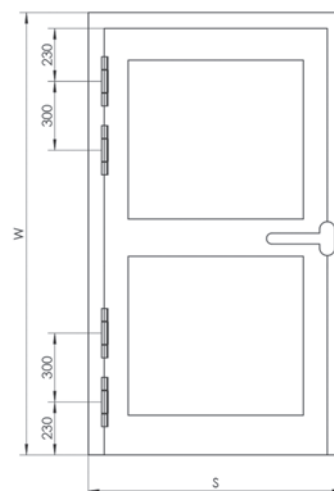
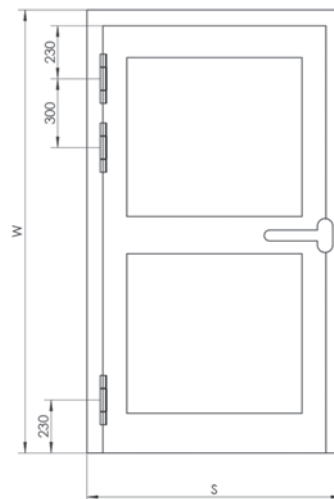
In case of the door higher than 2200mm, it is required to put additional hinge in the middle to caulk the door leaf.

3 x	W \ s	800	900	1000	1100	1200	1300	1400
	2000	150	150	150	140	135	125	120
2100	150	150	150	145	140	135	125	
2200	150	150	150	150	145	140	130	

3 x +	W \ s	800	900	1000	1100	1200	1300	1400
	2000	130	130	130	120	115	105	100
2100	130	130	130	125	120	115	105	
2200	130	130	130	130	125	120	110	
2300	130	130	130	130	130	125	120	
2400	130	130	130	130	130	125	120	
2500	130	130	130	130	130	130	125	
2600	130	130	130	130	130	130	130	
2700	130	130	130	130	130	130	130	
2800	130	130	130	130	130	130	130	
2900	130	130	130	130	130	130	130	
3000	130	130	130	130	130	130	130	

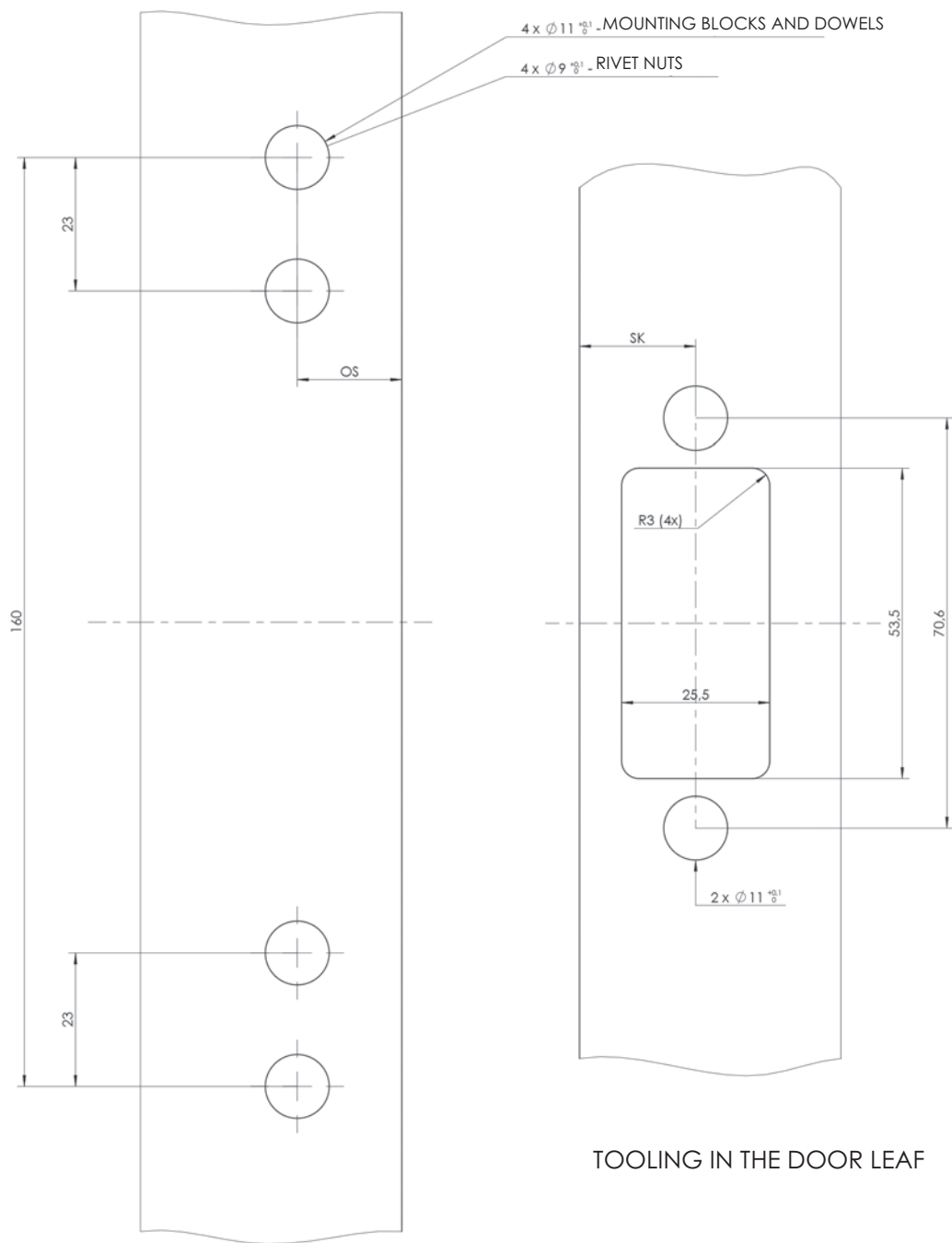
4 x	W \ s	800	900	1000	1100	1200	1300	1400
	2300	160	160	160	160	160	155	150
2400	160	160	160	160	160	155	150	
2500	160	160	160	160	160	160	155	
2600	160	160	160	160	160	160	160	
2700	160	160	160	160	160	160	160	
2800	160	160	160	160	160	160	160	
2900	160	160	160	160	160	160	160	
3000	160	160	160	160	160	160	160	

4 x +	W \ s	800	900	1000	1100	1200	1300	1400
	2000	160	160	160	150	145	135	130
2100	160	160	160	155	150	145	135	
2200	160	160	160	160	155	150	140	
2300	160	160	160	160	160	155	150	
2400	160	160	160	160	160	155	150	
2500	160	160	160	160	160	160	155	
2600	160	160	160	160	160	160	160	
2700	160	160	160	160	160	160	160	
2800	160	160	160	160	160	160	160	
2900	160	160	160	160	160	160	160	
3000	160	160	160	160	160	160	160	



WR-1R ROLLER HINGE / TOOLING IN ALUMINIUM PROFILES

- OS – THE VALUE OF TOOLING DISPLACEMENT FOR THE DOOR FRAME
- SK – THE VALUE OF TOOLING DISPLACEMENT FOR THE DOOR LEAF
(VALUES ARE DIFFERENT FOR EACH SYSTEM AND SPECIFIED TOGETHER WITH OTHER PARAMETERS OF HOLES IN TOOLING DRAWINGS)



TOOLING IN THE DOOR FRAME

TOOLING IN THE DOOR LEAF

HINGES / ROLLER HINGES

WR, WR-1R ROLLER HINGE / INCREASE OF THE ADJUSTMENT RANGE

Full adjustment range of the gap (left/right) in negative direction for most aluminium systems can be achieved by milling the door profile and covering it with the mask.



HINGES / CONCEALED

WU CONCEALED HINGE

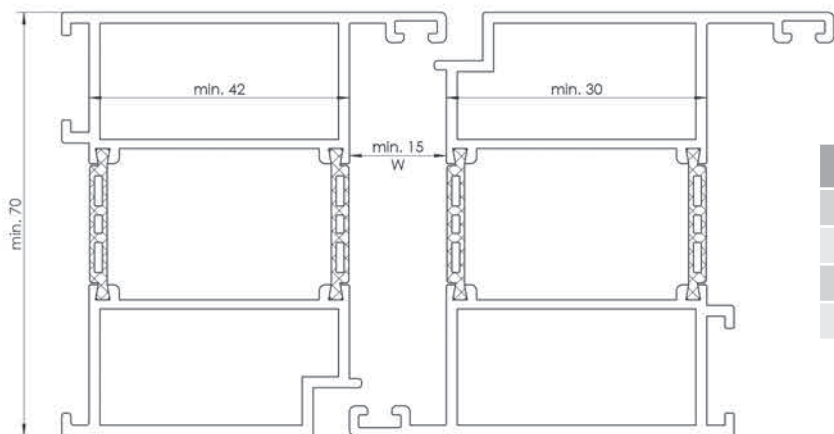


MOUNTING SET FOR THE LEAF PROFILE S(..)



MOUNTING SET FOR THE FRAME PROFILE O(..)

REQUIREMENTS FOR CONCEALED HINGE:



HINGE	DIM „W”
WU15(..)	15
WU16(..)	16
WU17(..)	17
WU18(..)	18

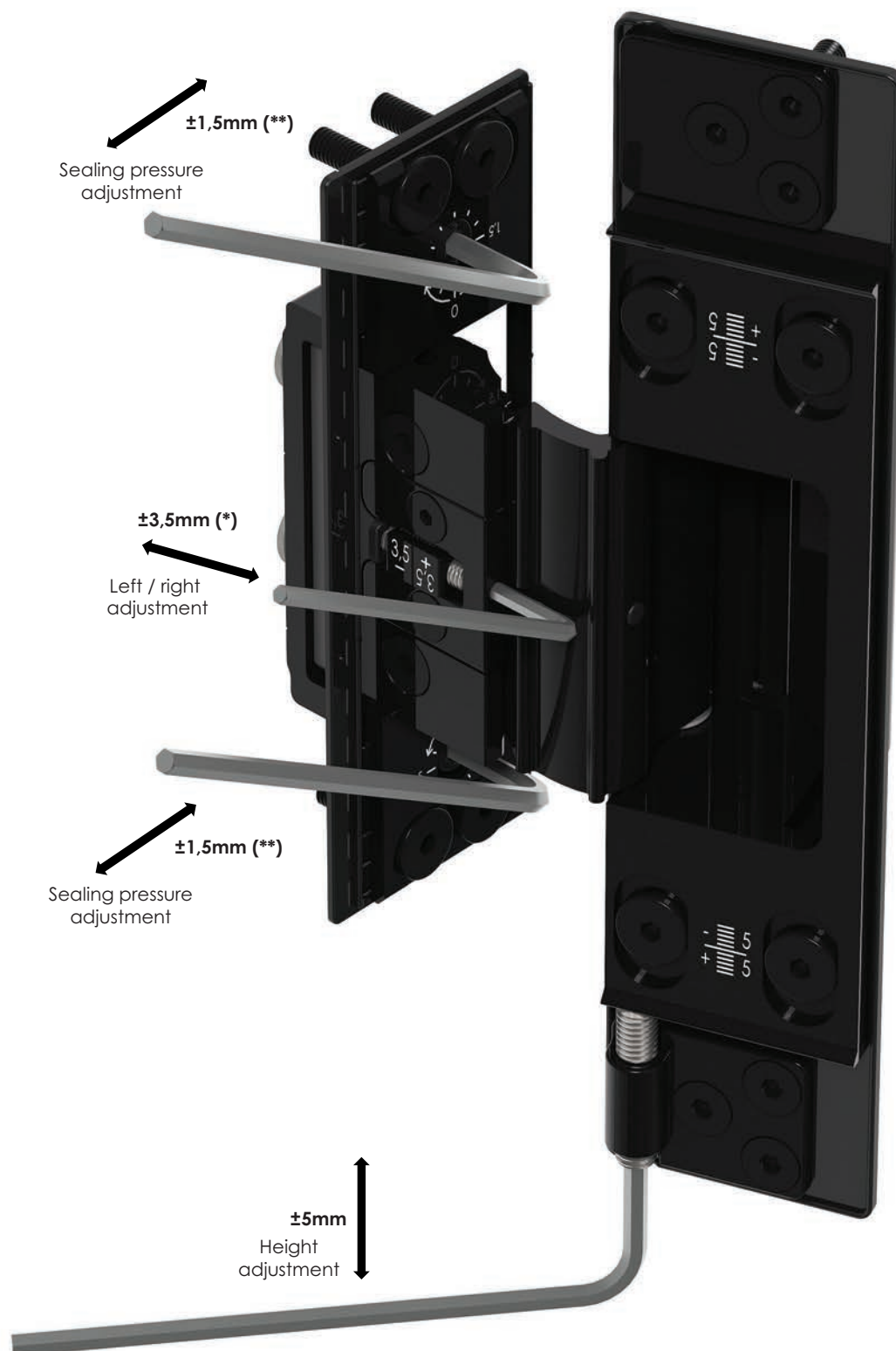
AVAILABLE COLOURS	CODE	TYPE					
BLACK	WU15O(..)S(..)X	CONCEALED HINGE FOR ALUMINIUM SYSTEMS WITH 15 mm GAP BETWEEN PROFILES					
SILVER ANODE	WU16O(..)S(..)X	CONCEALED HINGE FOR ALUMINIUM SYSTEMS WITH 16 mm GAP BETWEEN PROFILES					
INOX	WU17O(..)S(..)X	CONCEALED HINGE FOR ALUMINIUM SYSTEMS WITH 17 mm GAP BETWEEN PROFILES					
	WU18O(..)S(..)X	CONCEALED HINGE FOR ALUMINIUM SYSTEMS WITH 18 mm GAP BETWEEN PROFILES					
WU HINGE CLASSIFICATION EN 1935:2002 + EN 1935:2002/AC:2003 for use in emergency exit doors							
1	2	3	4	5	6	7	8
4	7	7	0	1	4	1	14

X – colour code as indicated in the list of WALA colours



HINGES / CONCEALED

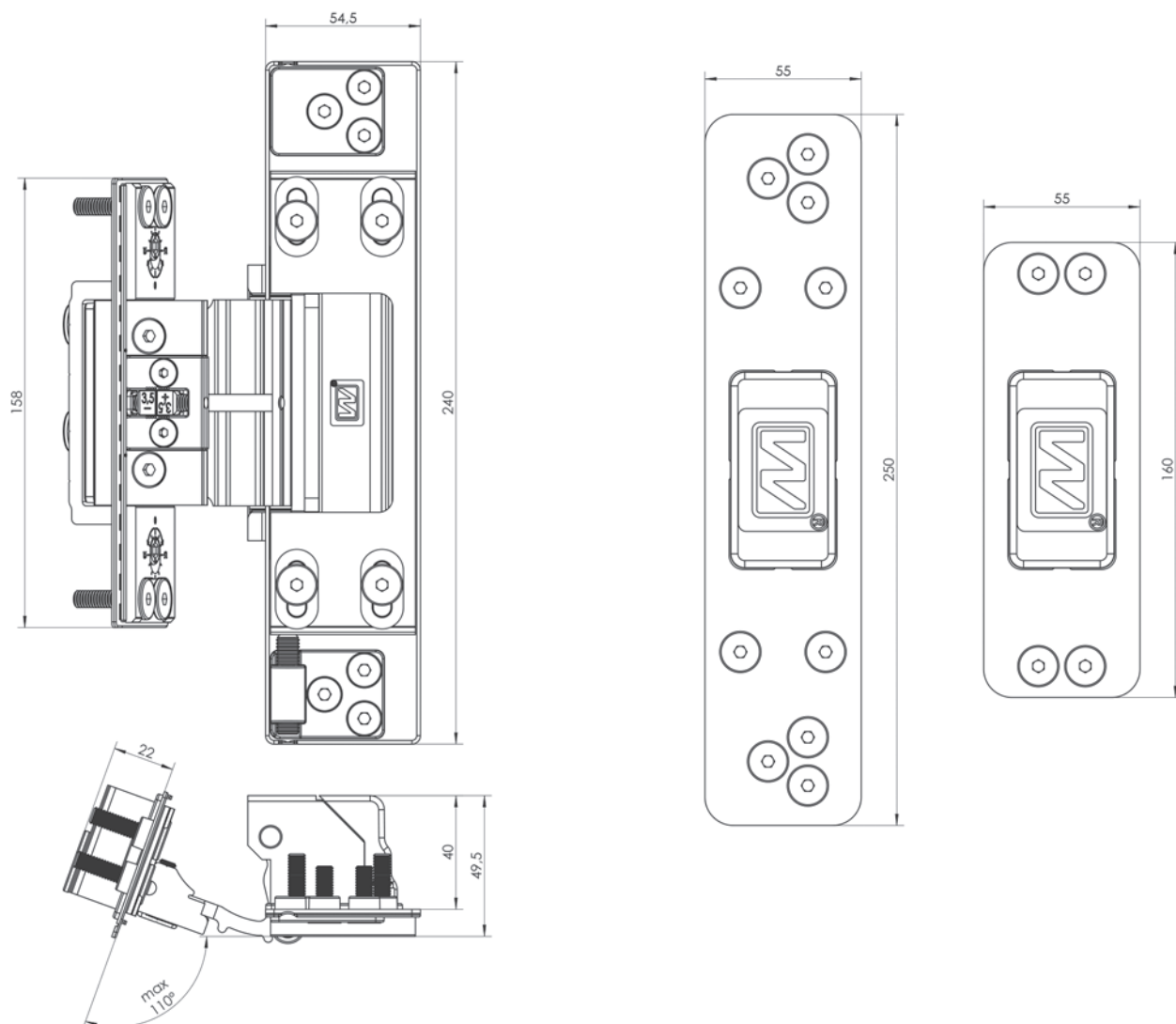
WU CONCEALED HINGE / ADJUSTMENT



(*) - adjustment in the negative direction can be very limited depending on aluminium system
(**) - actual range can differ due to the gap value at the seal, depending on aluminium system

HINGES / CONCEALED

WU CONCEALED HINGE / DIMENSIONS



Doorstop must be used
e.g. WALA WST



HINGES / CONCEALED

WU CONCEALED HINGE / SELECTION ACCORDING TO THE PERMITTED LOAD



Private building







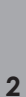
Door closer






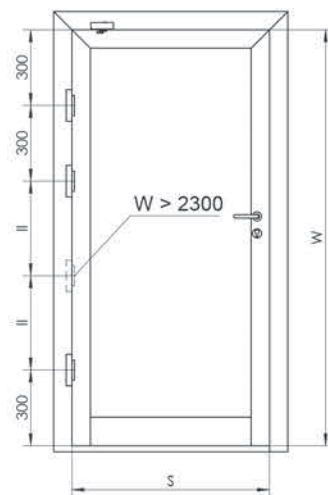
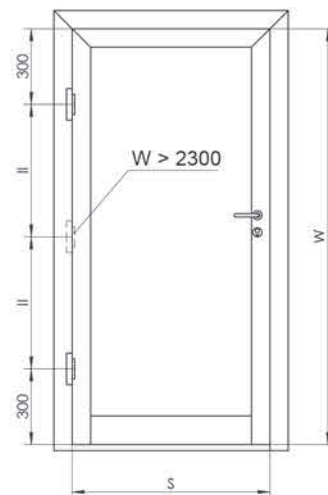
Public building

In case of the door higher than 2300mm, it is required to put additional hinge in the middle to caulk the door leaf.

 2 x 	W \ s	700	800	900	1000	1100	1200	1300	1400
	2000	150	150	150	150	140	130	120	110
2100	150	150	150	150	150	140	130	120	110
2200	150	150	150	150	150	150	140	130	120
2300	150	150	150	150	150	150	140	130	120
2400	150	150	150	150	150	150	150	140	130
2500	150	150	150	150	150	150	150	150	140
2600	150	150	150	150	150	150	150	150	150
2700	150	150	150	150	150	150	150	150	150
2800	150	150	150	150	150	150	150	150	150
2900	150	150	150	150	150	150	150	150	150
3000	150	150	150	150	150	150	150	150	150

 +  2 x 	W \ s	700	800	900	1000	1100	1200	1300	1400
	2000	130	130	130	130	120	110	100	90
2100	130	130	130	130	130	120	110	100	90
2200	130	130	130	130	130	130	120	110	100

 +  3 x 	W \ s	700	800	900	1000	1100	1200	1300	1400
	2300	130	130	130	130	130	130	120	110
2400	130	130	130	130	130	130	130	120	110
2500	130	130	130	130	130	130	130	130	120
2600	130	130	130	130	130	130	130	130	130
2700	130	130	130	130	130	130	130	130	130
2800	130	130	130	130	130	130	130	130	130
2900	130	130	130	130	130	130	130	130	130
3000	130	130	130	130	130	130	130	130	130



HINGES / CONCEALED

WU CONCEALED HINGE / SELECTION ACCORDING TO THE PERMITTED LOAD



Private building



Door closer



Public building

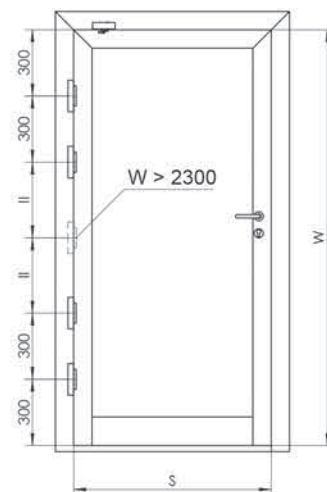
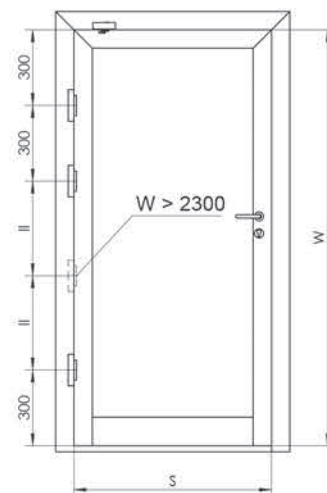
In case of the door higher than 2300mm, it is required to put additional hinge in the middle to caulk the door leaf.

3 x	W \ s	700	800	900	1000	1100	1200	1300	1400
	2000	200	200	200	200	190	180	170	160
2100	200	200	200	200	200	200	180	170	160
2200	200	200	200	200	200	200	190	180	170

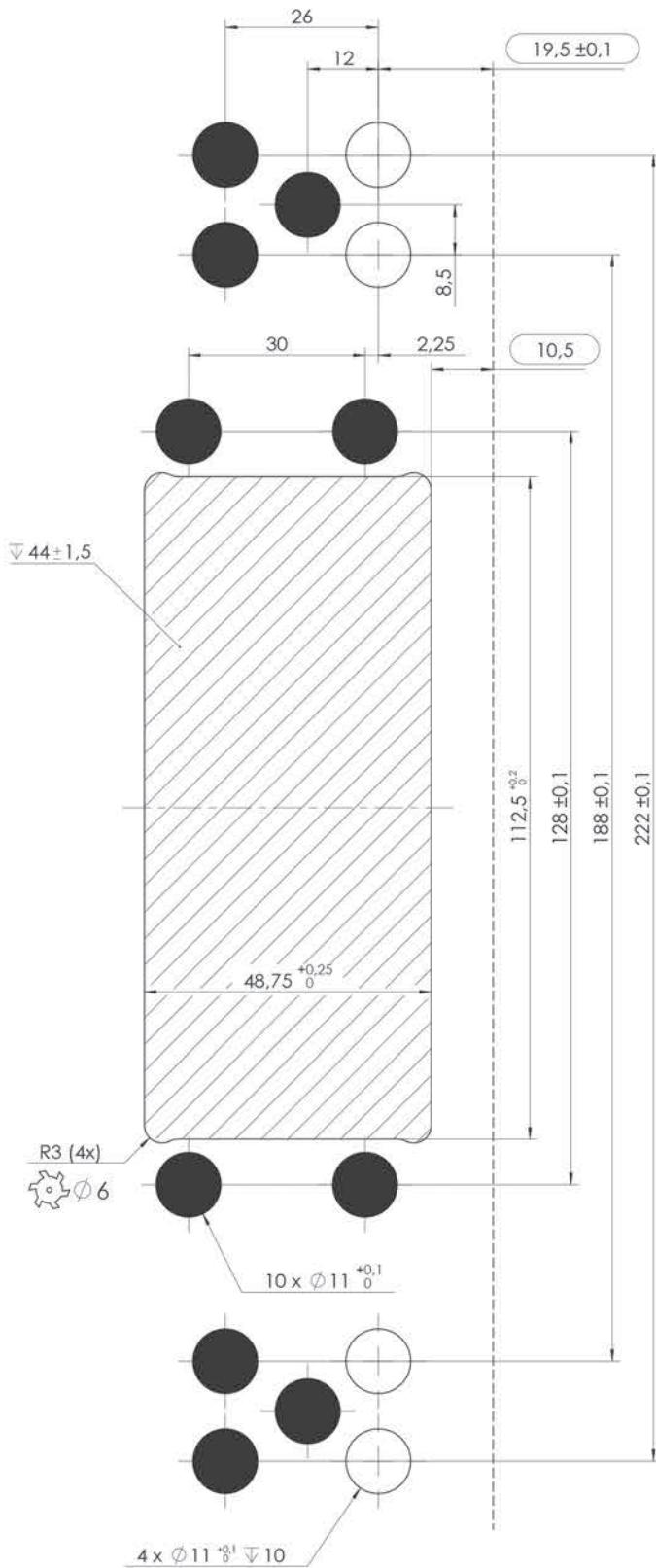
3 x +	W \ s	700	800	900	1000	1100	1200	1300	1400
	2000	180	180	180	170	160	150	140	130
2100	180	180	180	180	170	160	150	140	
2200	180	180	180	180	180	170	160	150	
2300	180	180	180	180	180	170	160	150	
2400	180	180	180	180	180	180	170	160	
2500	180	180	180	180	180	180	180	170	
2600	180	180	180	180	180	180	180	180	
2700	180	180	180	180	180	180	180	180	
2800	180	180	180	180	180	180	180	180	
2900	180	180	180	180	180	180	180	180	
3000	180	180	180	180	180	180	180	180	

4 x	W \ s	700	800	900	1000	1100	1200	1300	1400
	2300	210	210	210	210	210	200	190	190
2400	210	210	210	210	210	210	200	190	
2500	210	210	210	210	210	210	210	200	
2600	210	210	210	210	210	210	210	210	
2700	210	210	210	210	210	210	210	210	
2800	210	210	210	210	210	210	210	210	
2900	210	210	210	210	210	210	210	210	
3000	210	210	210	210	210	210	210	210	

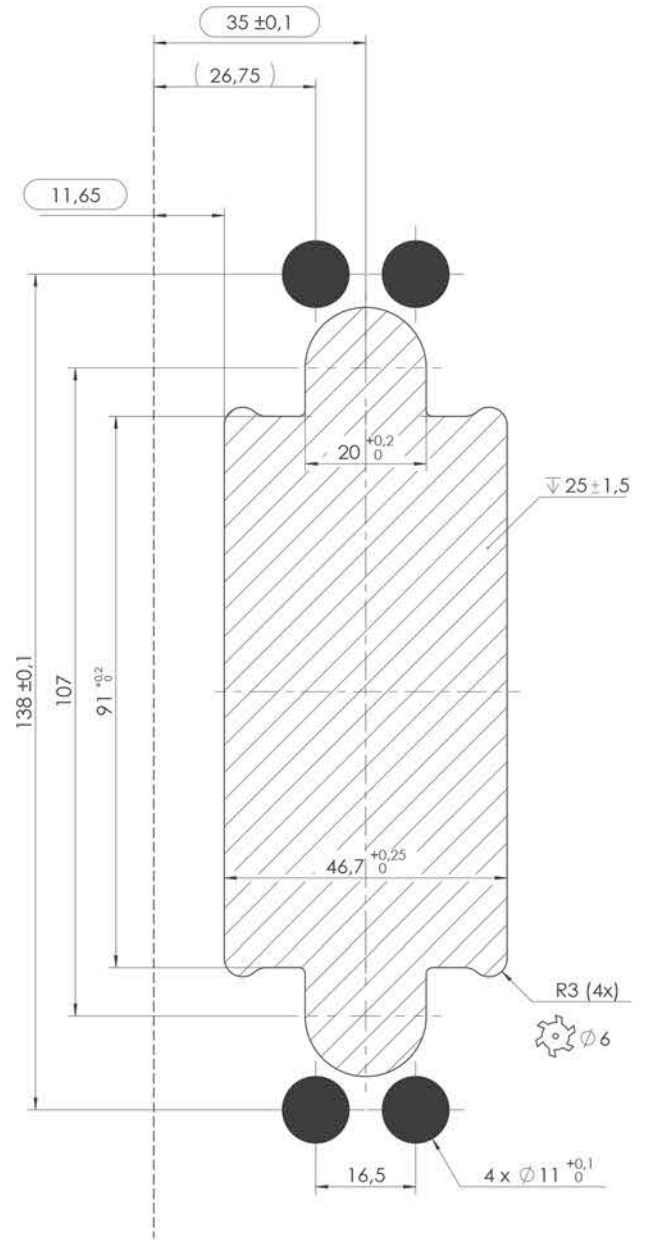
4 x +	W \ s	700	800	900	1000	1100	1200	1300	1400
	2000	210	210	210	200	190	180	170	160
2100	210	210	210	210	200	190	180	170	
2200	210	210	210	210	210	200	190	180	
2300	210	210	210	210	210	200	190	190	
2400	210	210	210	210	210	210	200	190	
2500	210	210	210	210	210	210	210	200	
2600	210	210	210	210	210	210	210	210	
2700	210	210	210	210	210	210	210	210	
2800	210	210	210	210	210	210	210	210	
2900	210	210	210	210	210	210	210	210	
3000	210	210	210	210	210	210	210	210	



WU CONCEALED HINGE / GENERAL TOOLING IN ALUMINIUM PROFILES



FRAME PROFILE PROCESSING



LEAF PROFILE PROCESSING



— Machining values may be different for specific aluminium systems depending on the geometry of the profiles.

HINGES / CONCEALED

WUT CONCEALED HINGE

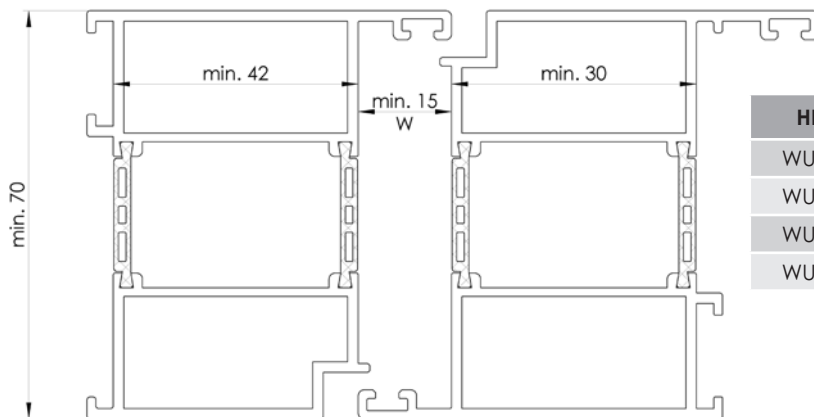


MOUNTING SET FOR
THE LEAF PROFILE
S(..)






MOUNTING SET FOR
THE FRAME PROFILE
O(..)

REQUIREMENTS FOR CONCEALED HINGE:



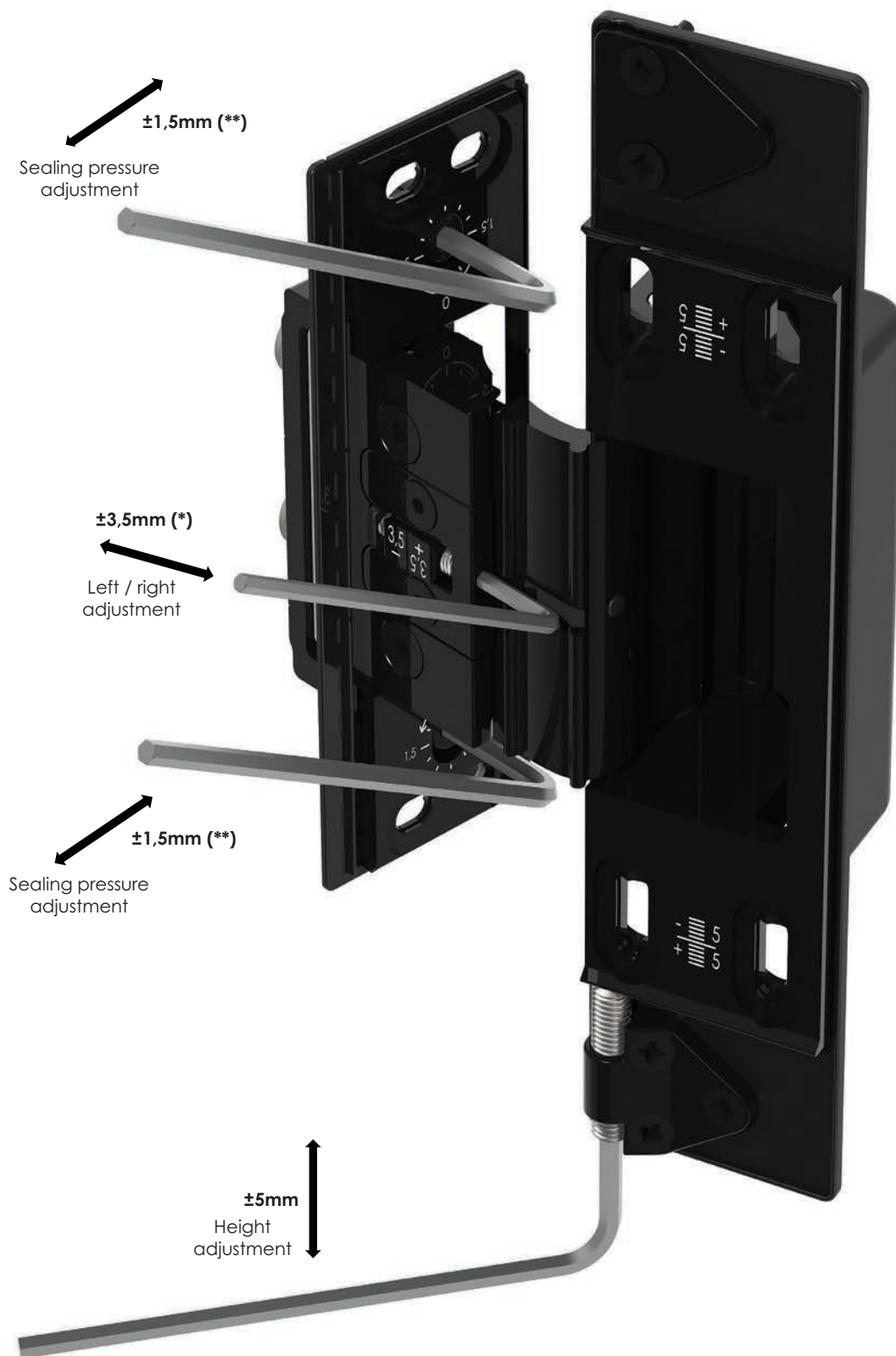
HINGE	DIM „W”
WUT15(..)	15
WUT16(..)	16
WUT17(..)	17
WUT18(..)	18

AVAILABLE COLOURS	CODE	TYPE					
 BLACK	WUT15O(..)S(..)X	CONCEALED HINGE FOR ALUMINIUM SYSTEMS WITH 15 mm GAP BETWEEN PROFILES					
 SILVER ANODE	WUT16O(..)S(..)X	CONCEALED HINGE FOR ALUMINIUM SYSTEMS WITH 16 mm GAP BETWEEN PROFILES					
 INOX	WUT17O(..)S(..)X	CONCEALED HINGE FOR ALUMINIUM SYSTEMS WITH 17 mm GAP BETWEEN PROFILES					
	WUT18O(..)S(..)X	CONCEALED HINGE FOR ALUMINIUM SYSTEMS WITH 18 mm GAP BETWEEN PROFILES					
WUT HINGE CLASSIFICATION EN 1935:2002 + EN 1935:2002/AC:2003 for use in emergency exit doors							
1	2	3	4	5	6	7	8
4	7	7	0	1	4	1	14

X – colour code as indicated in the list of WALA colours



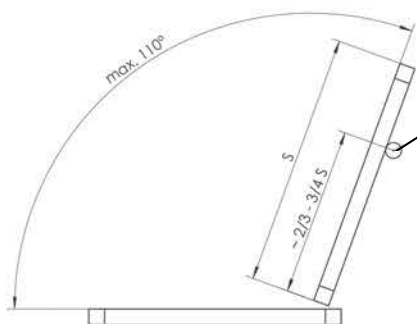
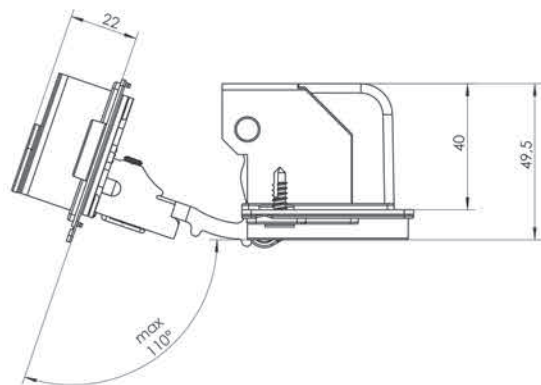
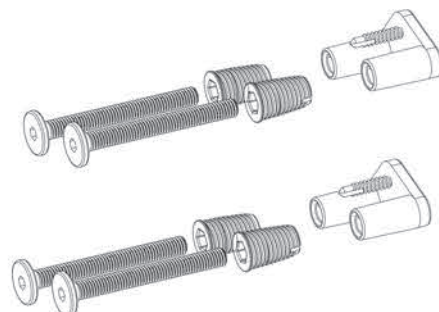
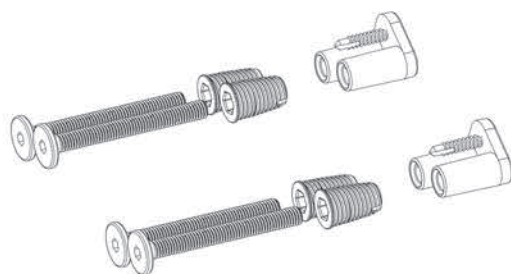
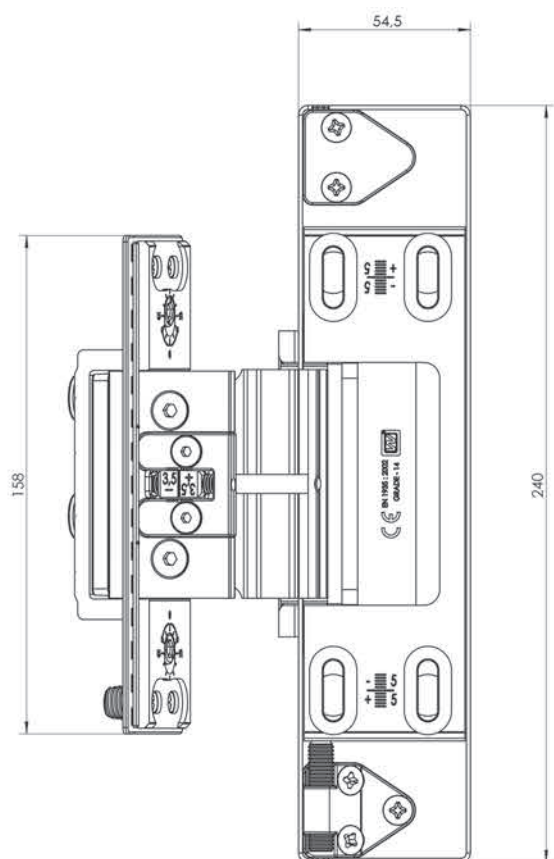
WUT CONCEALED HINGE / ADJUSTMENT



(*) - adjustment in the negative direction can be very limited depending on aluminium system
(**) - actual range can differ due to the gap value at the seal, depending on aluminium system

HINGES / CONCEALED

WUT CONCEALED HINGE / DIMENSIONS



Doorstop must be used
e.g. WALA WST



HINGES / CONCEALED

WUT CONCEALED HINGE / SELECTION ACCORDING TO THE PERMITTED LOAD



Private building



Door closer



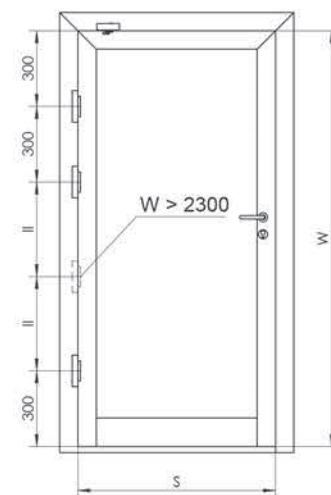
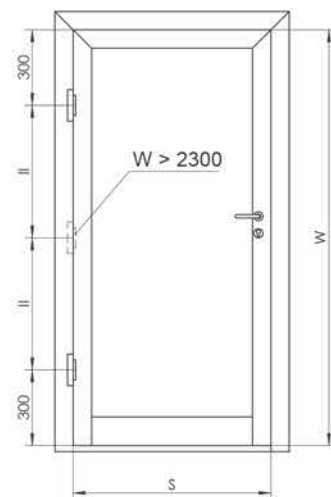
Public building

In case of the door higher than 2300mm, it is required to put additional hinge in the middle to caulk the door leaf.

Private building 2 x	W \ s	700	800	900	1000	1100	1200	1300	1400
	2000	120	120	120	120	110	100	100	90
2100	120	120	120	120	120	110	100	100	120
2200	120	120	120	120	120	120	110	100	100
2300	120	120	120	120	120	120	110	100	100
2400	120	120	120	120	120	120	120	110	100
2500	120	120	120	120	120	120	120	120	110
2600	120	120	120	120	120	120	120	120	120
2700	120	120	120	120	120	120	120	120	120
2800	120	120	120	120	120	120	120	120	120
2900	120	120	120	120	120	120	120	120	120
3000	120	120	120	120	120	120	120	120	120

Private building + Door closer 2 x	W \ s	700	800	900	1000	1100	1200	1300	1400
	2000	100	100	100	100	90	80	80	70
2100	100	100	100	100	100	90	80	80	80
2200	100	100	100	100	100	100	90	80	80

Private building + Door closer 3 x	W \ s	700	800	900	1000	1100	1200	1300	1400
	2300	100	100	100	100	100	100	90	80
2400	100	100	100	100	100	100	100	90	80
2500	100	100	100	100	100	100	100	100	90
2600	100	100	100	100	100	100	100	100	100
2700	100	100	100	100	100	100	100	100	100
2800	100	100	100	100	100	100	100	100	100
2900	100	100	100	100	100	100	100	100	100
3000	100	100	100	100	100	100	100	100	100



HINGES / CONCEALED

WUT CONCEALED HINGE / SELECTION ACCORDING TO THE PERMITTED LOAD



Private building

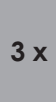




Door closer





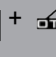
Public building

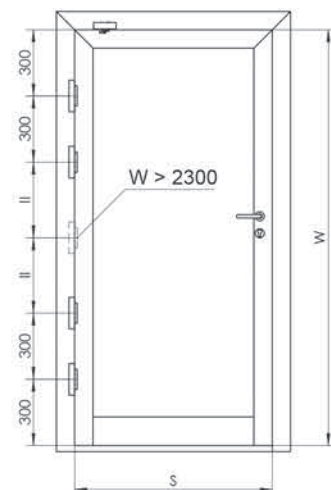
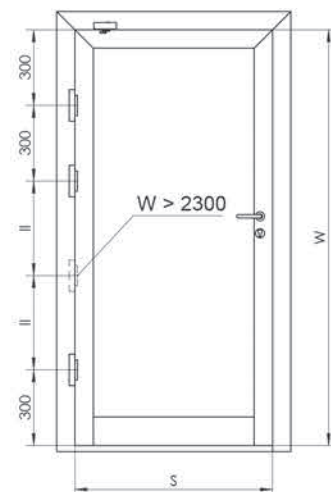
In case of the door higher than 2300mm, it is required to put additional hinge in the middle to caulk the door leaf.

3 x 	W \ s	700	800	900	1000	1100	1200	1300	1400
	2000	170	170	170	170	160	150	140	130
2100	170	170	170	170	170	160	150	140	130
2200	170	170	170	170	170	170	160	150	140

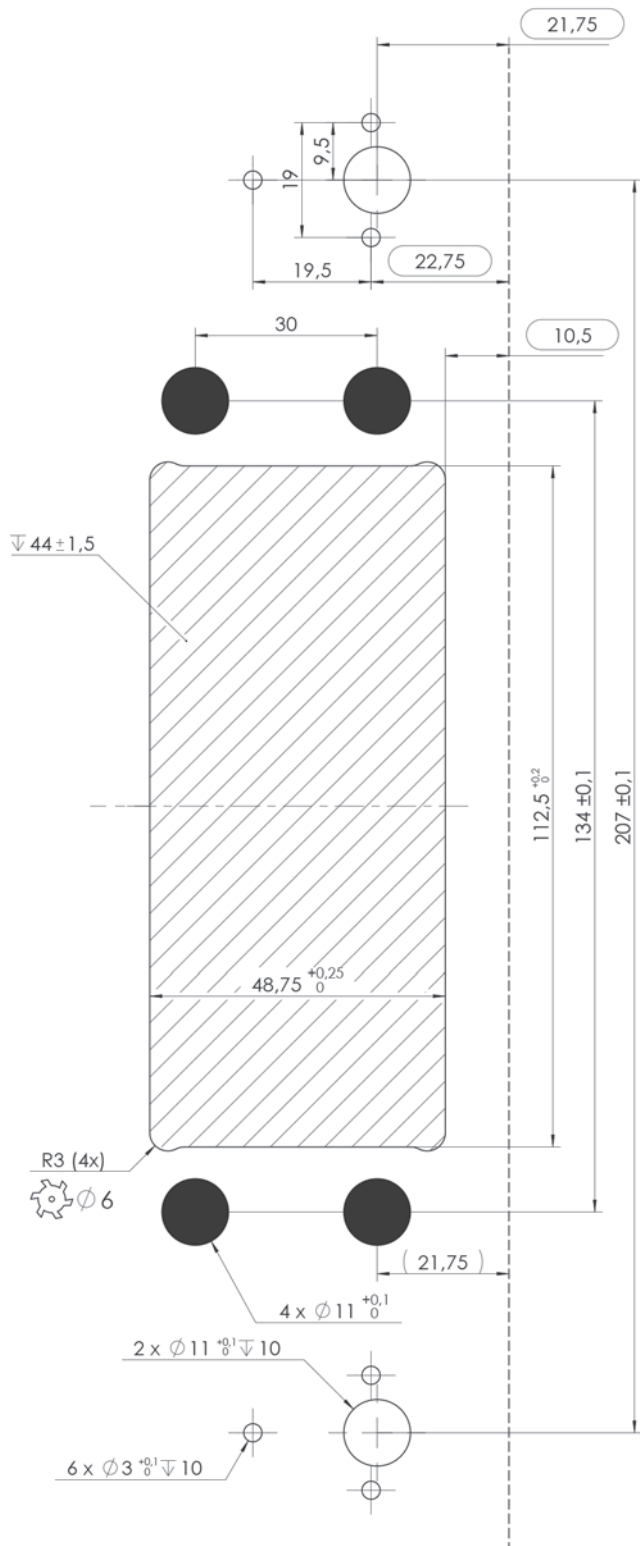
3 x  + 	W \ s	700	800	900	1000	1100	1200	1300	1400
	2000	150	150	150	150	140	130	120	110
2100	150	150	150	150	150	140	130	120	110
2200	150	150	150	150	150	150	140	130	120
2300	150	150	150	150	150	150	140	130	120
2400	150	150	150	150	150	150	150	140	130
2500	150	150	150	150	150	150	150	150	140
2600	150	150	150	150	150	150	150	150	150
2700	150	150	150	150	150	150	150	150	150
2800	150	150	150	150	150	150	150	150	150
2900	150	150	150	150	150	150	150	150	150
3000	150	150	150	150	150	150	150	150	150

4 x 	W \ s	700	800	900	1000	1100	1200	1300	1400
	2300	180	180	180	180	180	180	180	170
2400	180	180	180	180	180	180	180	180	170
2500	180	180	180	180	180	180	180	180	170
2600	180	180	180	180	180	180	180	180	180
2700	180	180	180	180	180	180	180	180	180
2800	180	180	180	180	180	180	180	180	180
2900	180	180	180	180	180	180	180	180	180
3000	180	180	180	180	180	180	180	180	180

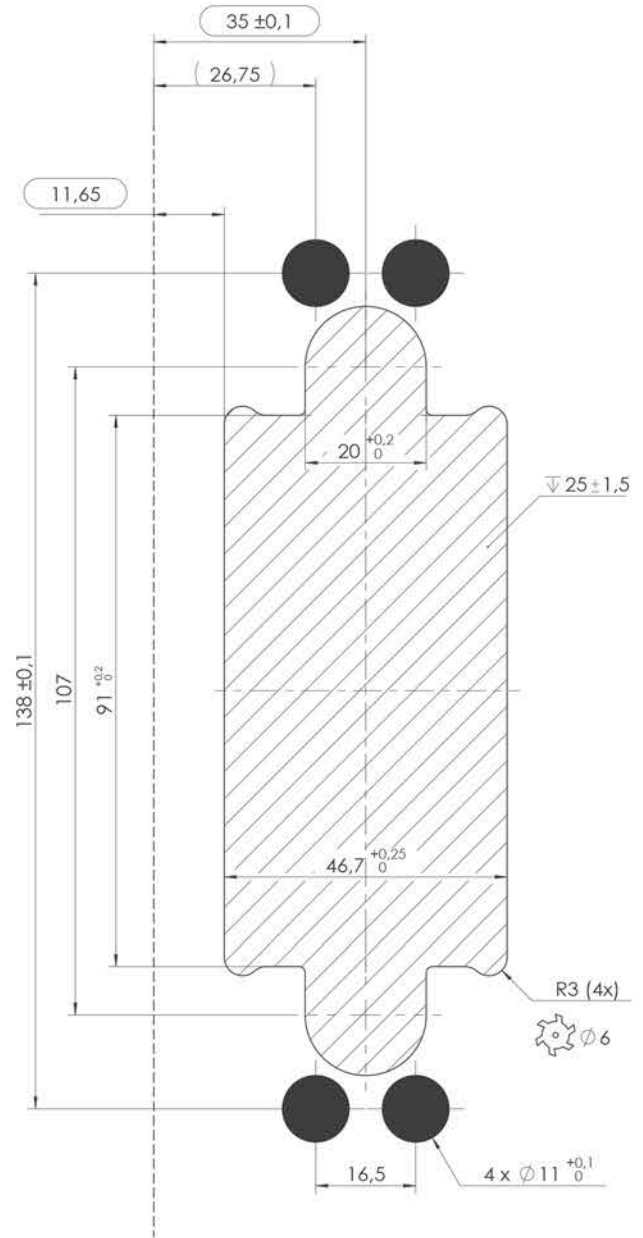
4 x  + 	W \ s	700	800	900	1000	1100	1200	1300	1400
	2000	180	180	180	180	180	170	160	150
2100	180	180	180	180	180	170	160	150	140
2200	180	180	180	180	180	180	170	160	150
2300	180	180	180	180	180	180	180	170	160
2400	180	180	180	180	180	180	180	180	170
2500	180	180	180	180	180	180	180	180	170
2600	180	180	180	180	180	180	180	180	180
2700	180	180	180	180	180	180	180	180	180
2800	180	180	180	180	180	180	180	180	180
2900	180	180	180	180	180	180	180	180	180
3000	180	180	180	180	180	180	180	180	180



WUT CONCEALED HINGE / GENERAL TOOLING IN ALUMINIUM PROFILES



FRAME PROFILE PROCESSING

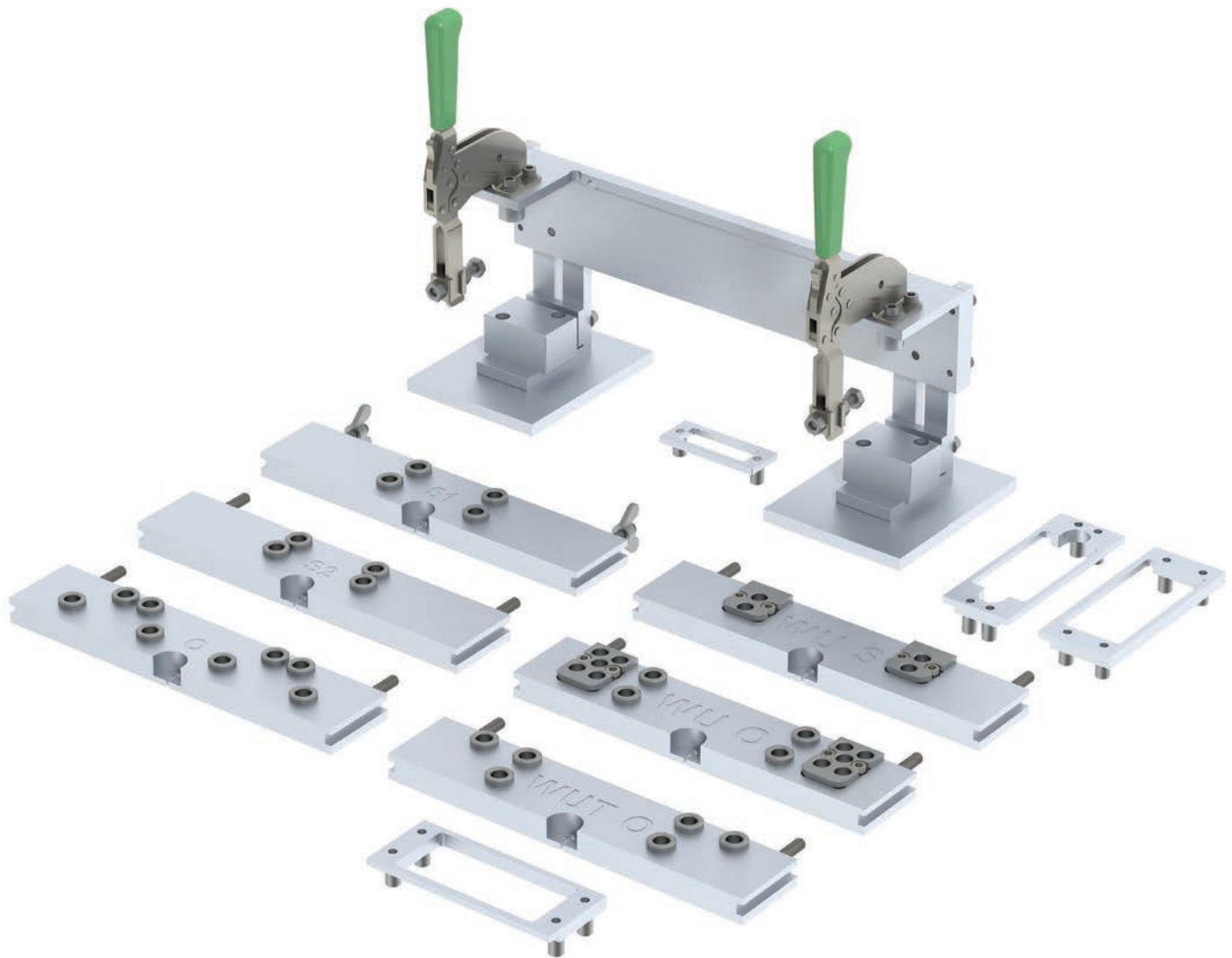


LEAF PROFILE PROCESSING



— Machining values may be different for specific aluminium systems depending on the geometry of the profiles.

WR ROLLER HINGE, WU CONCEALED HINGE / PATTERN FOR MANUAL DRILLING IN PROFILES



HINGES / GLASS SHEET HINGE

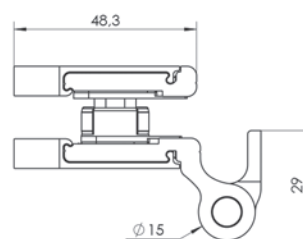
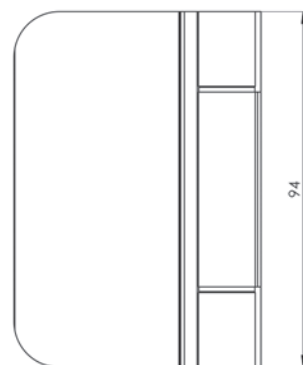
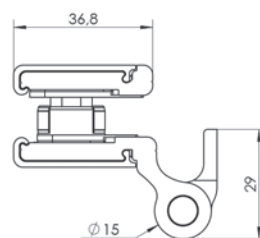
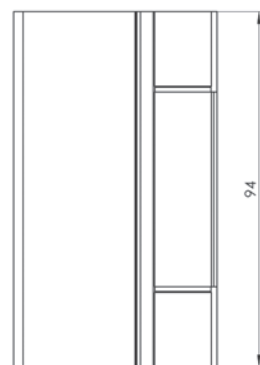
WT GLASS SHEET HINGE



WTA HINGE



WTB HINGE



AVAILABLE COLOURS	CODE	TYPE
	WTA 8010441X	WT GLASS SHEET HINGE WITH THIN MASK
	WTB 8010441X	WT GLASS SHEET HINGE WITH ROUNDED, THICK MASK
	WT HINGE CLASSIFICATION EN 1935:2002 + EN 1935:2002/AC:2003	
	for use in emergency exit doors	
	1	2
	3	4
	5	6
	7	8
	4	7
	5	0
	1	4
	1	12

PLASTIC COVERS



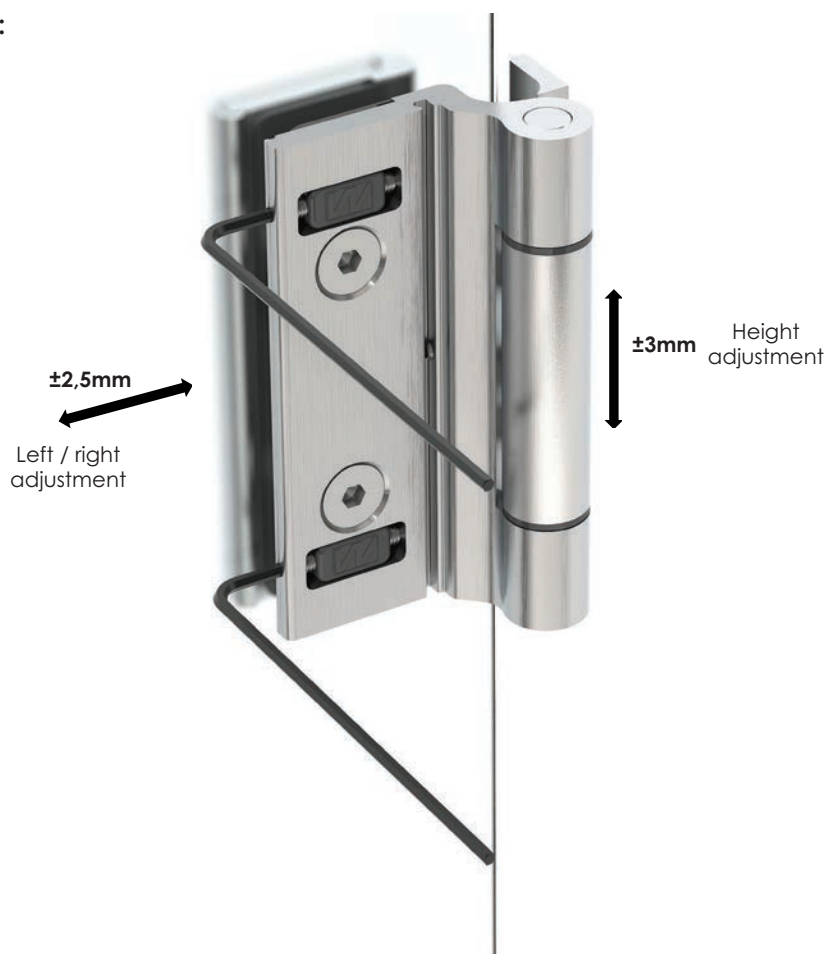
X – kod koloru według oznaczeń w tabeli



WT GLASS SHEET HINGE / MOUNTING SETS AND ADJUSTMENT

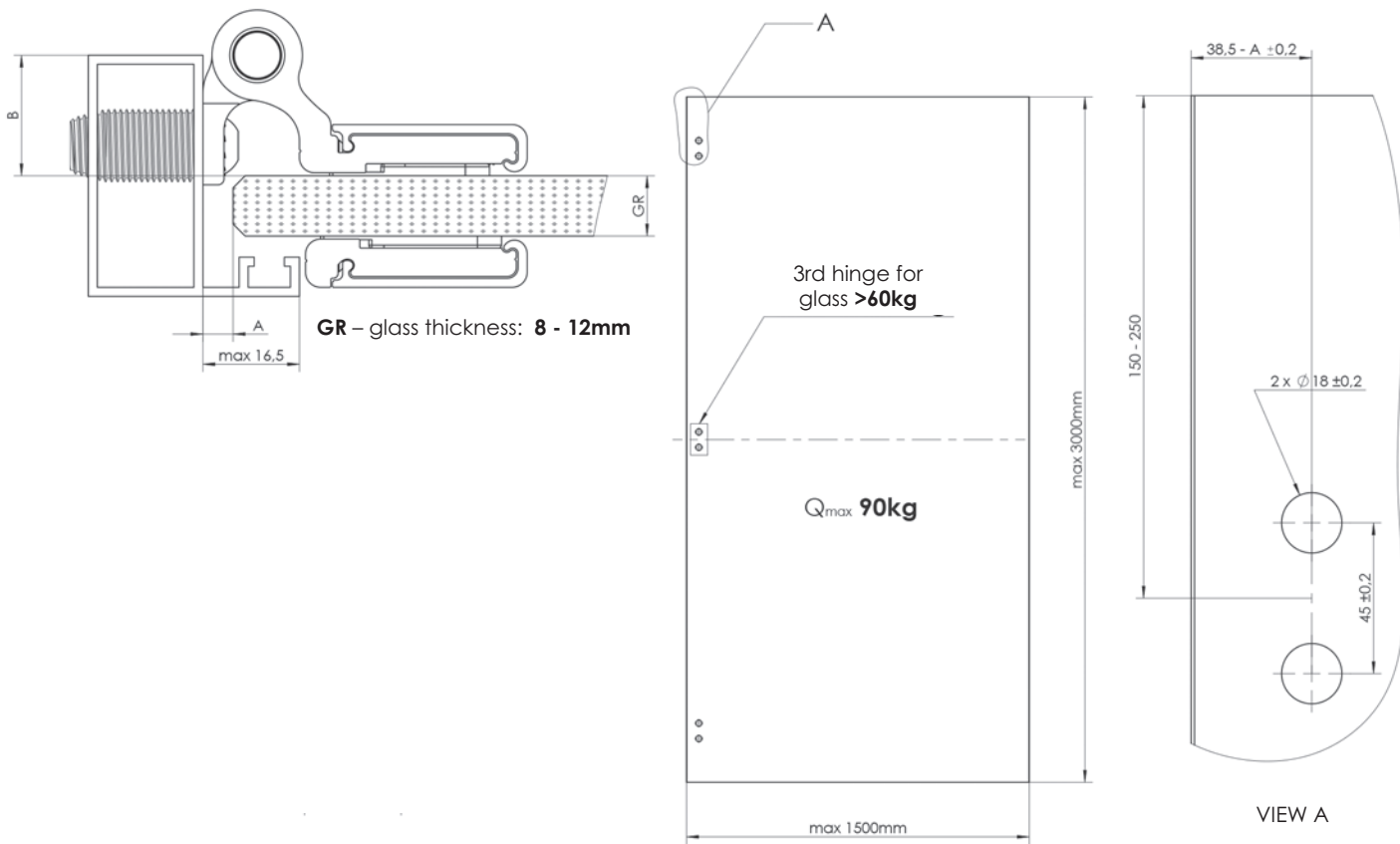
SET CODE	PICTURE	TYPE	APPLICATION
WT 80104710		RIVET NUTS FIXING SET	ALUMINIUM OR STEEL PROFILES WITH ONE PARTITION
WT 80104990		SCREW DOWELS FIXING SET	ALUMINIUM PROFILES WITH MIN. 2 PARTITIONS, FILLED DOOR FRAME

WT HINGE ADJUSTMENT:

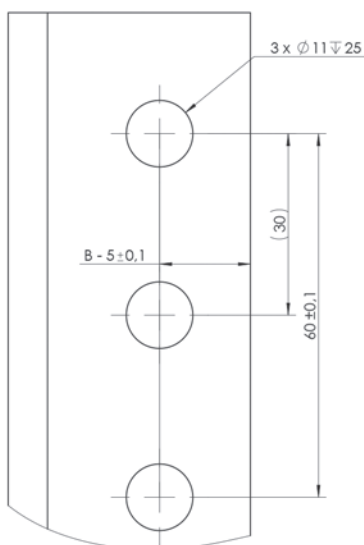
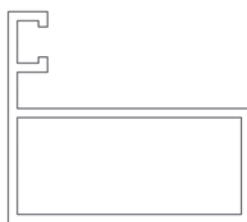
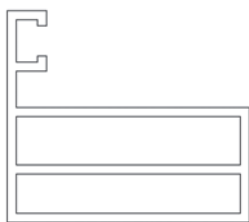


HINGES / GLASS SHEET HINGE

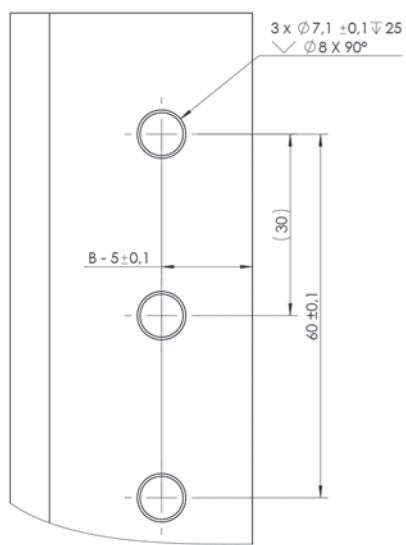
WT GLASS SHEET HINGE / TOOLING IN THE PROFILE, GLASS SHEET AND SELECTION



Tooling in glass sheet



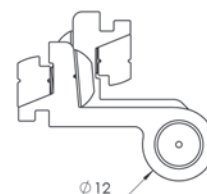
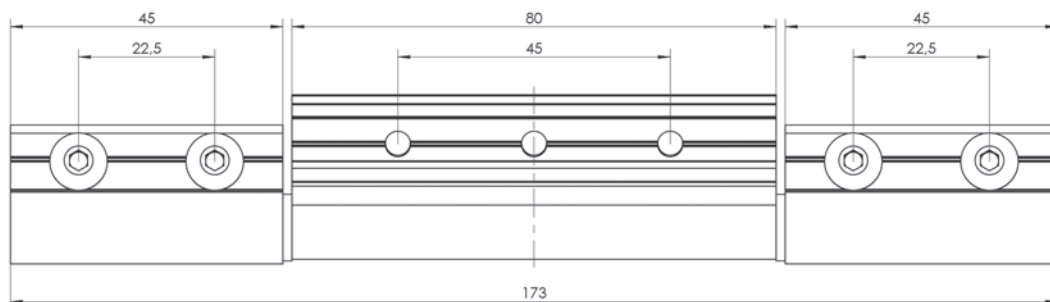
Tooling in aluminium profile
(screw dowels fixing set)



Tooling in aluminium profile
(rivet nuts fixing set)

GAP A [mm]	DIMENSION IN GLASS D [mm]
4	34,5 ± 0,2
4,5	34,0 ± 0,2
5	33,5 ± 0,2
5,5	33,0 ± 0,2
6	32,5 ± 0,2
6,5	32,0 ± 0,2
7	31,5 ± 0,2
7,5	31,0 ± 0,2
8	30,5 ± 0,2

WP1 ROOF WINDOW HINGE



AVAILABLE COLOURS	INDEX	CODE	TYPE
	WZP0000000002	WP001-1	WP1 ROOF WINDOW HINGE ANODE



ANODE

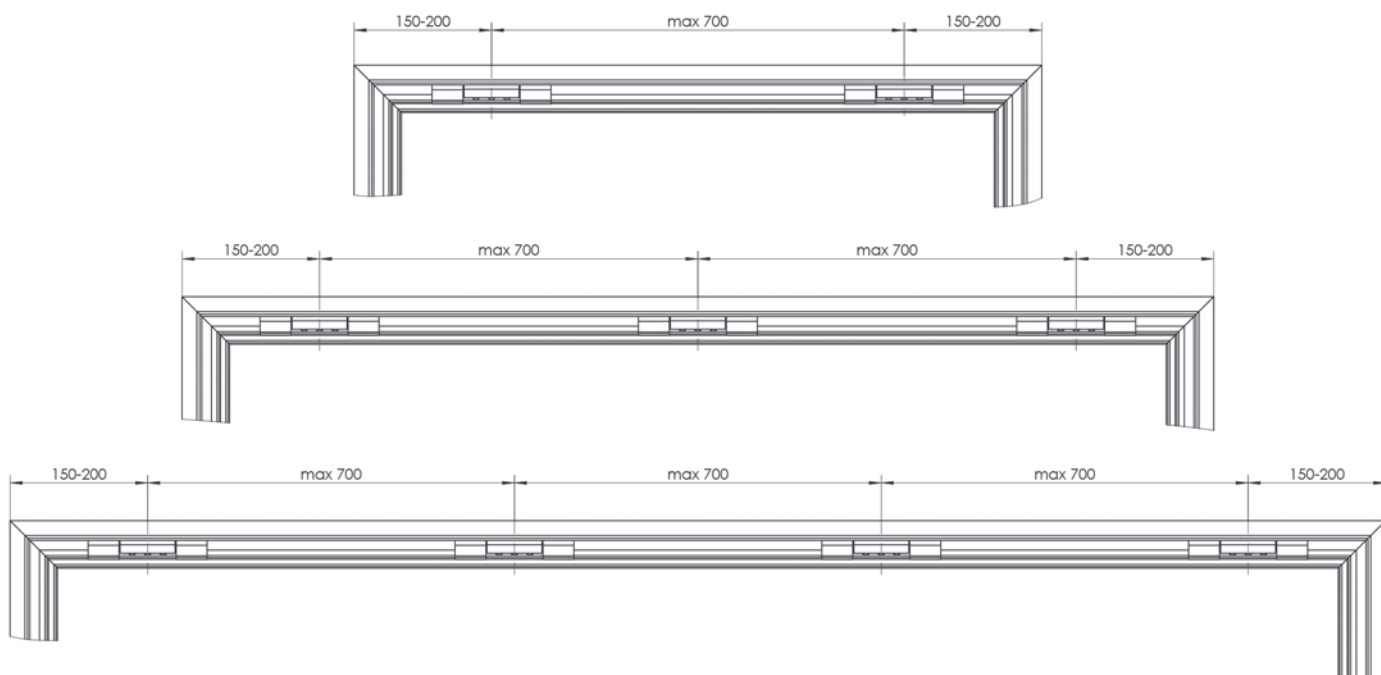
PLASTIC



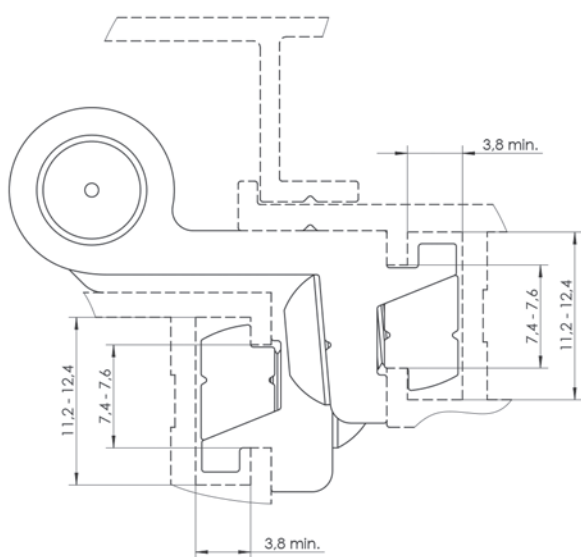
BLACK

WP1 ROOF WINDOW HINGE / SELECTION ACCORDING TO THE PERMITTED LOAD

QTY. OF HINGES	MAX LOAD (with snow)
2	140kg
3	210kg
4	260kg



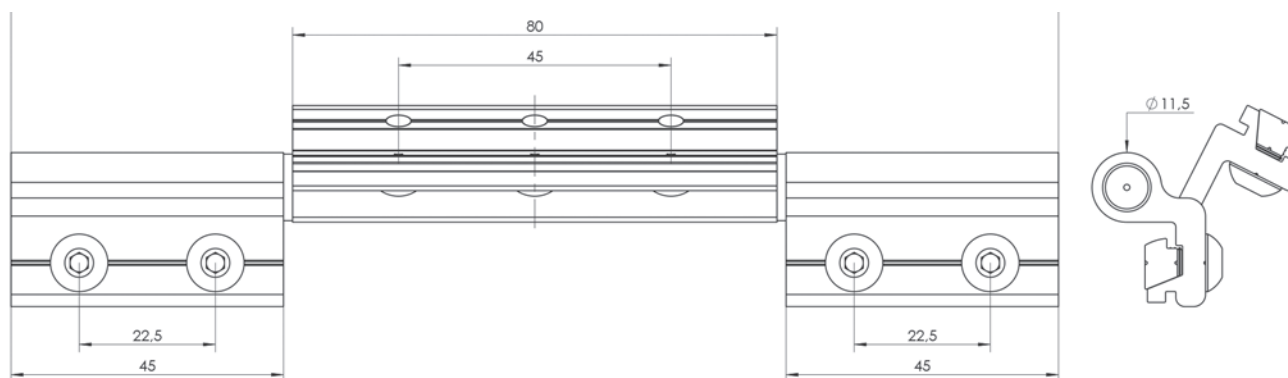
WP1 Roof Window Hinge should match to the following groove ranges:



It is recommended to send DWG profiles to our sales department in order to check the possibility of using WP1 Hinge.

HINGES / ROOF WINDOW HINGES

WP2 ROOF WINDOW HINGE / MB-50TT SYSTEM



AVAILABLE COLOURS	INDEX	CODE	TYPE
ANODE	WZP0000000004	WP002-1	WP2 ROOF WINDOW HINGE ANODE



ANODE

PLASTIC



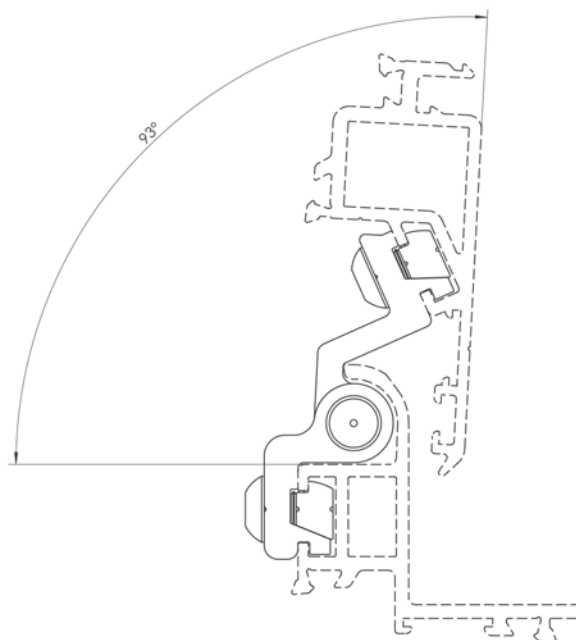
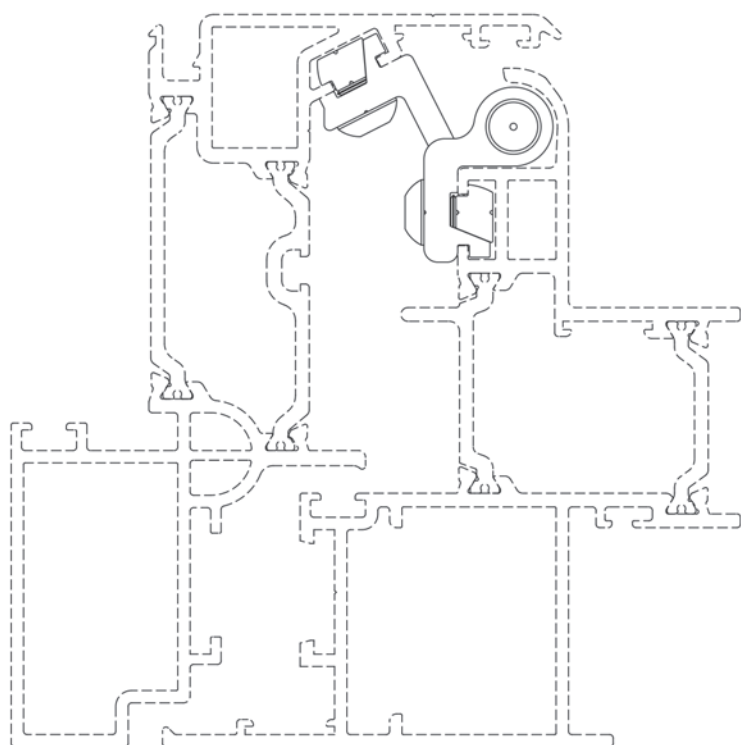
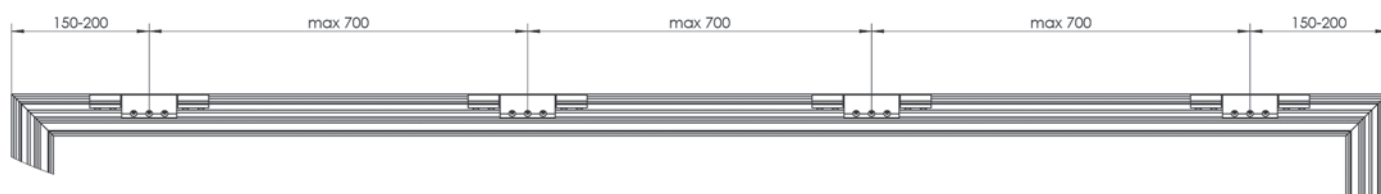
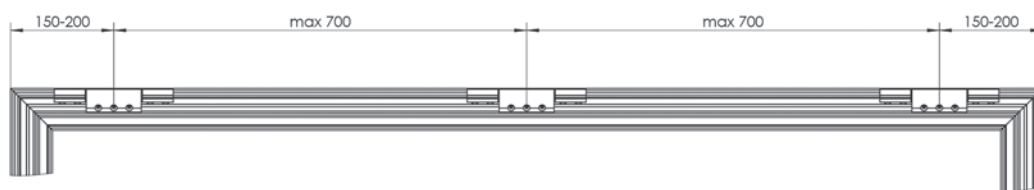
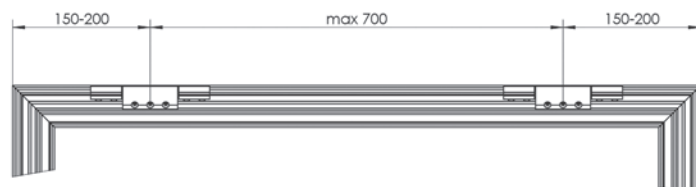
BLACK



HINGES / ROOF WINDOW HINGES

WP2 ROOF WINDOW HINGE / SELECTION ACCORDING TO THE PERMITTED LOAD

QTY. OF HINGES	MAX LOAD (with snow)
2	160kg
3	240kg
4	300kg



MAXIMUM OPENING ANGLE





**JEDNOSTKA NOTYFIKOWANA Nr 1488
INSTYTUT TECHNIKI BUDOWLANEJ**

ZAKŁAD CERTYFIKACJI

ul. FILTROWA 1, 00-611 WARSZAWA
tel.: (22) 57 96 167, (22) 57 96 168, fax: (22) 57 96 295
e-mail: certyfikacja@itb.pl, www.itb.pl



Annex no Z-1488-CPR-0038/W page 2/2
being an integral part of the certificate no 1488-CPR-0038/W

Single-axis hinges WALA

**Hinges suitable for application on fire-resistant
and/or for use on escape routes**

Hinges classification acc. to EN 1935:2002 + EN 1935:2002/AC:2003

Hinges types	1 Category of use	2 Durability	3 Test door mass	4 Suitability for use on fire/smoke compartmentation doors	5 Safety	6 Corrosion resistance	7 Security - Burglar- resistance	8 Hinge grade
Hinges WS two- and three-leaf	4	7	7	1	1	3	1	14
Hinges WX two- and three-leaf	4	7	7	1	1	3	1	14
Hinges WR three-leaf	4	7	7	1	1	4	1	14

Hinges suitable for use on escape routes

Hinges classification acc. to EN 1935:2002 + EN 1935:2002/AC:2003

Hinges types	1 Category of use	2 Durability h	3 Test door mass	4 Suitability for use on fire/smoke compartmentation doors	5 Safety	6 Corrosion resistance	7 Security - Burglar- resistance	8 Hinge grade
Hinges WX ELECTRO three-leaf	4	7	7	0	1	3	1	14
Hinges SWW two-leaf	4	7	6	0	1	3	1	13
Hinges SWW three-leaf	4	7	7	0	1	3	1	14
Hinges XWW two-leaf	4	7	6	0	1	3	1	13
Hinges MX two- and three-leaf	4	7	7	0	1	3	1	14
Hinges AX two- and three-leaf	4	7	7	0	1	4	1	14
Hinges AXL two- and three-leaf	4	7	7	0	1	4	1	14
Hinges SX two-leaf	4	7	7	0	1	4	1	14
Hinges AXM two-leaf	4	7	6	0	1	4	1	13
Hinges WU double-part	4	7	7	0	1	4	1	14

HEAD
of the Certification Department

K. Hatowska

Katarzyna Hatowska, M.Sc. Eng.



Warsaw, 18.03.2019

DIRECTOR
of Instytut Techniki Budowlanej

Robert Geryło

Robert Geryło, Ph. D.



Wala Sp. z o.o.
Parkowa 16
43-365 Wilkowice
POLAND

wala@wala.pl
tel. +48 33 82 72 390
fax: +48 33 82 72 391
www.wala.pl